

SERVICE MANUAL

T7.170 / T7.185

T7.200 / T7.210

Tractor

FRAME AND CAB - E

HITCH AND WORKING TOOL - H

Part number 84561166

English

October 2011





FRAME AND CAB - E

FRAME Primary frame - 10.B

**T7.170 AutoCommand , T7.170 Power Command , T7.170 Range Command ,
T7.185 AutoCommand , T7.185 Power Command , T7.185 Range Command ,
T7.200 AutoCommand , T7.200 Power Command , T7.200 Range Command ,
T7.210 AutoCommand , T7.210 Power Command , T7.210 Range Command**

Contents

FRAME AND CAB - E

FRAME Primary frame - 10.B

TECHNICAL DATA

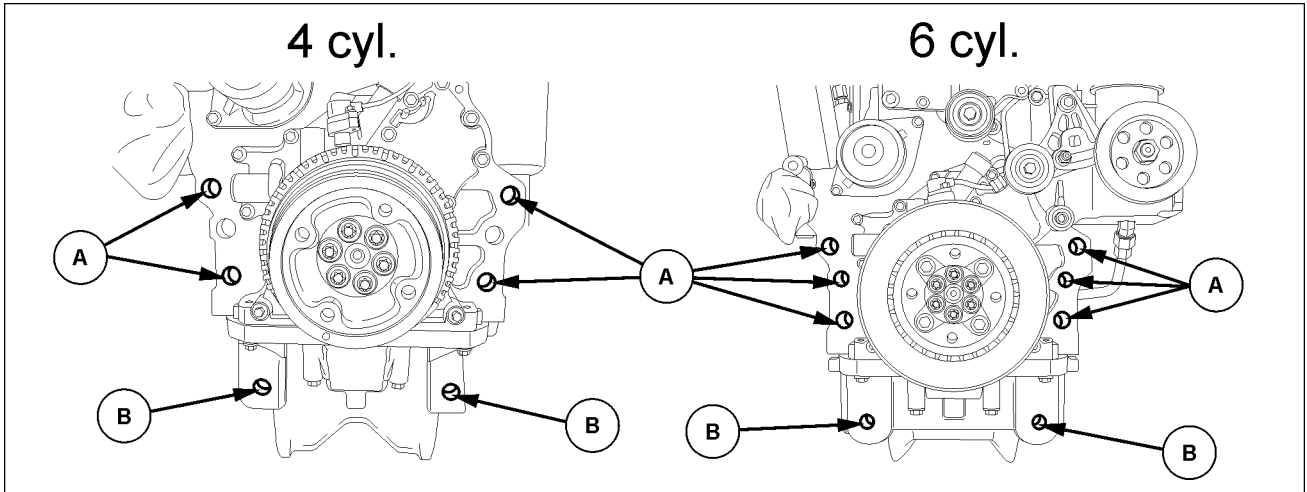
Front	
Torque (Front support)	3

SERVICE

Front	
Remove	4
Install	7
Clearance (Front support)	10

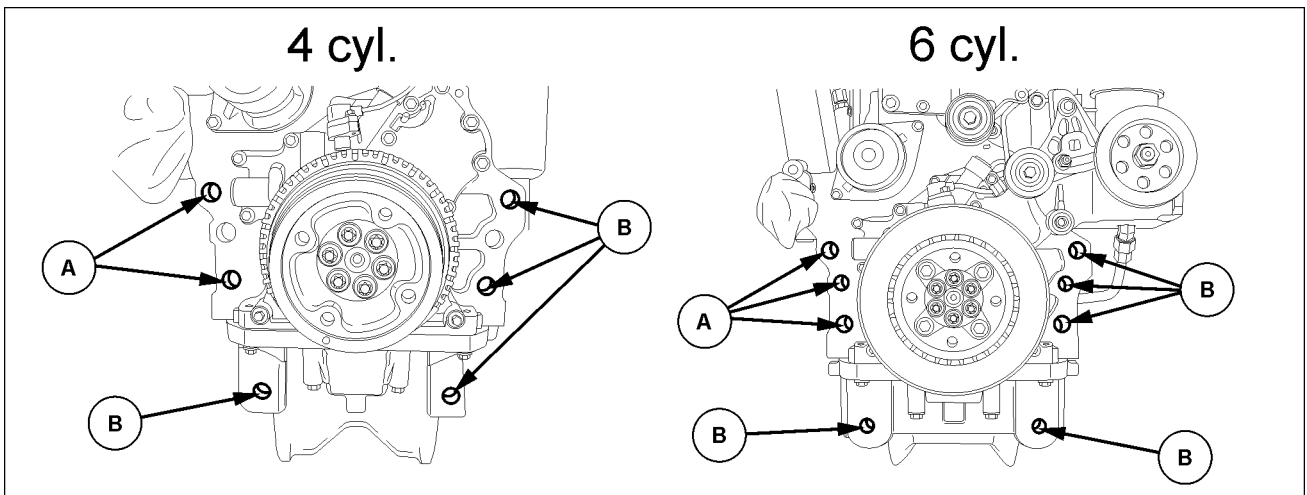
Front - Torque (Front support)

Standard axle



SS09F106 1

Suspended axle and supersteer™ axle



SS09F107 2

(A)	screw	650 Nm (479 lb ft)
(B)	stud bolt	240 Nm (177 lb ft)
(B)	nut	480 Nm (354 lb ft)

Front - Remove

Prior operation:

Remove the front axle, for further information refer to **FRONT AXLE - Remove (D.10.A)**

Prior operation:

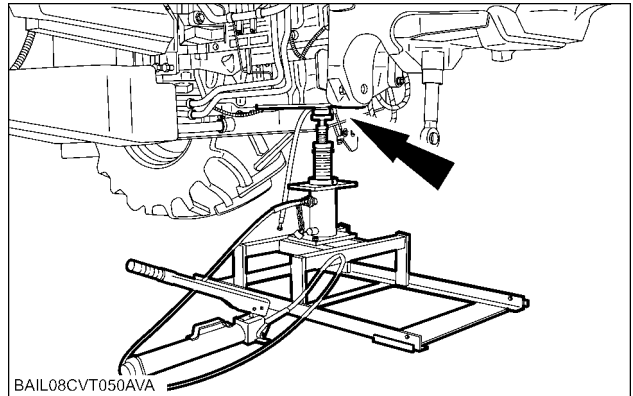
Remove the radiator, for further information refer to **Radiator - Remove (B.50.A)**

⚠ **WARNING** ⚠

Lift and handle all heavy components using lifting equipment of appropriate lifting capacity. Make sure that units or parts are supported by suitable slings or hooks. Make sure that no-one is in the vicinity of the load to be lifted. Failure to comply could result in serious injury or death.

B012

1. Position the splitting gear (1) **MS2700C-1** (2) **MS2700C-2** (3) **MS2700C-4** under the engine. Raise and support the front of the tractor with the splitting gear. Once supported safely, remove the axle stands from under the front weight carrier.



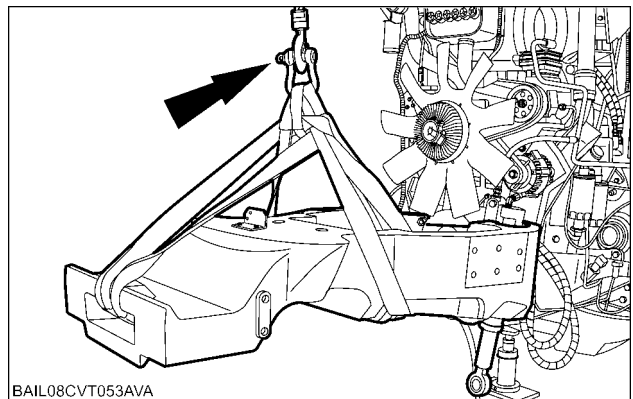
BAIL08CVT050AVA 1

2. Using suitable slings or chains attach the front and rear of the front support assembly to an overhead hoist.

⚠ **WARNING** ⚠

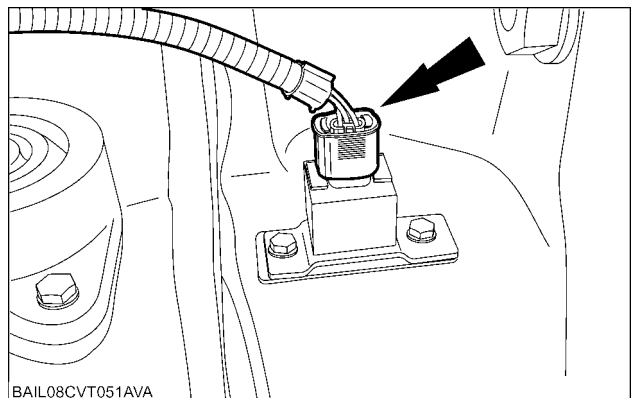
Always ensure the support is adequately supported and will remain stable when seperated from the engine. Failure to provide adequate support may cause the assembly to be unstable with possible personal injury if the support tips forwards or backwards.

B017



BAIL08CVT053AVA 2

3. Disconnect the accelerometer electrical connector.



BAIL08CVT051AVA 3

It's a preview. You can download the full file by clicking the link below.

<https://shopservicemanual.com/>

Service Manuals from 2\$