

2007 SPORTSTER MODELS

SERVICE MANUAL

Part Number 99484-07

Section 1: Maintenance

Section 2: Chassis

Section 3: Engine

Section 4: Fuel System

Section 5: Electric Starter

Section 6: Drive/Transmission

Section 7: Electrical

Appendix

ELECTRICAL DIAGNOSTICS

Part Number 99495-07

Section 1: Starting & Charging

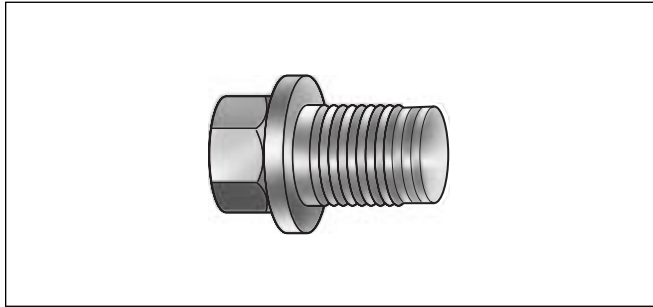
Section 2: Instruments

Section 3: TSM/HFSM

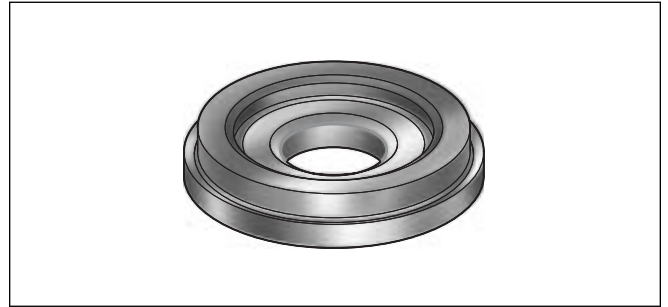
Section 4: Engine Management

Section 5: Wiring

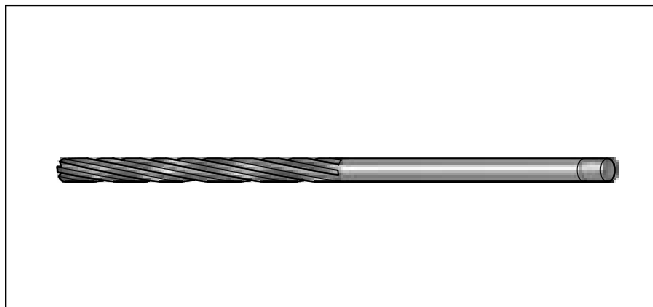
Appendix



Part No. B-45520 Gear Detent Assembly Aid



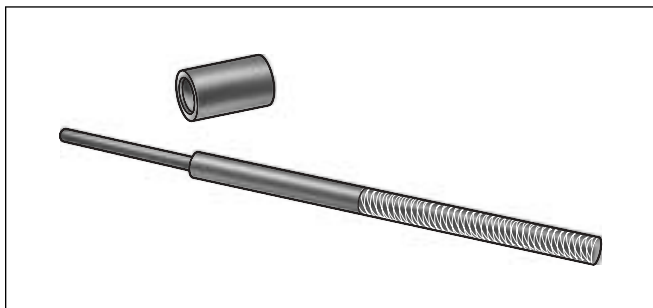
Part No. B-45676 Sprocket Shaft Seal Installer



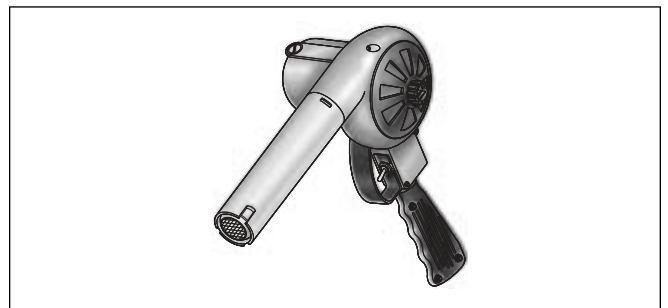
Part No. B-45523 Intake and Exhaust Valve Guide Reamer (7 mm)



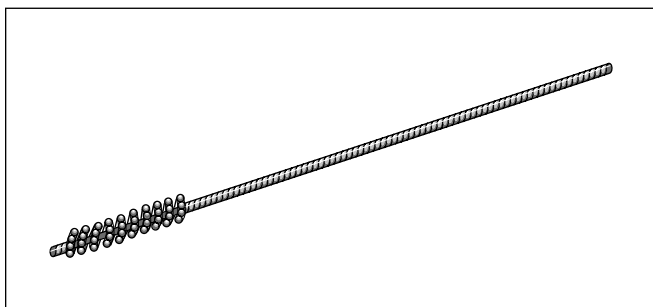
Part No. B-45847 Cross Plate



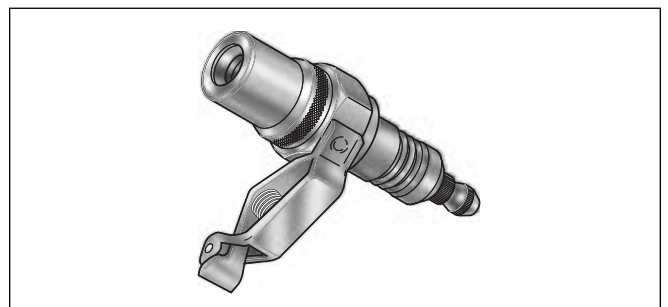
Part No. B-45524-A Shoulderless Valve Guide Installer (7 mm)



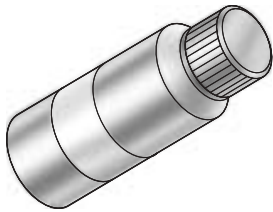
Part No. HD-25070 Robinair Heat Gun
(Use with HD-41183)



Part No. B-45525 Valve Guide Hone (7 mm)

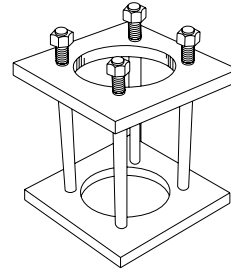


Part No. HD-26792 Spark Tester

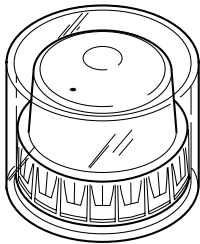


HD-28431-6 Fluorescent Additive 6 1-oz. bottles
HD-28431-22 Fluorescent Additive 1 22-oz. container

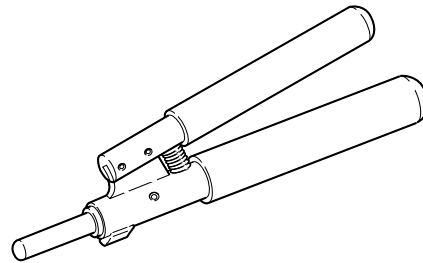
Part No. HD-28431-B Black Light Fluorescent Additive
(Use with HD-35457)



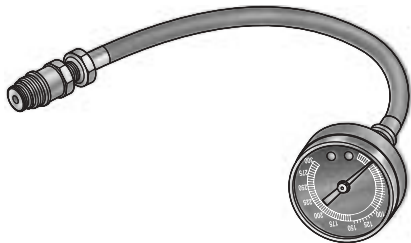
Part No. HD-33446-B Cylinder Torque Plates



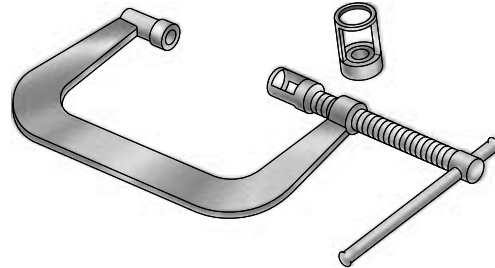
Part No. HD-33067 Bearing Packing Tool



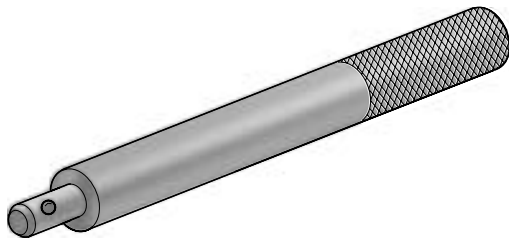
Part No. HD-34623-C Piston Pin Retaining Ring Installer



Part No. HD-33223-1 Cylinder Compression Gauge



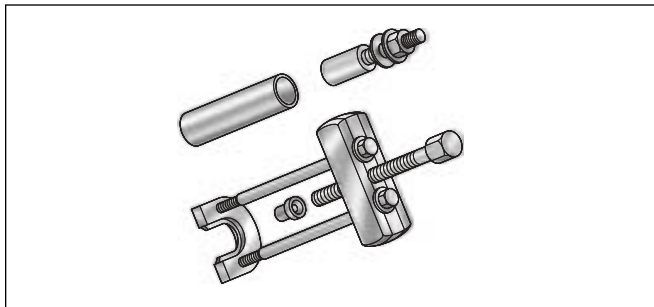
Part No. HD-34736-B Valve Spring Compressor



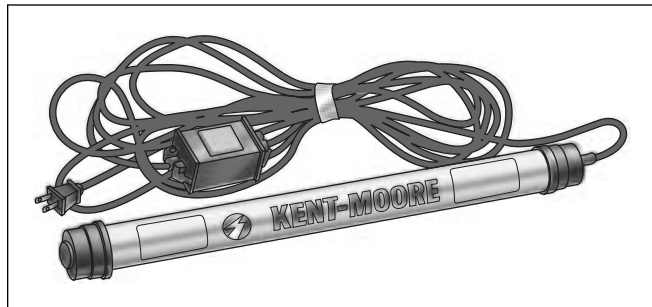
Universal Driver Handle
4 in. length (Part No. HD-45907), 7 in. length (Part
No. HD-44567), 12 in. length (Part No. HD-33416)



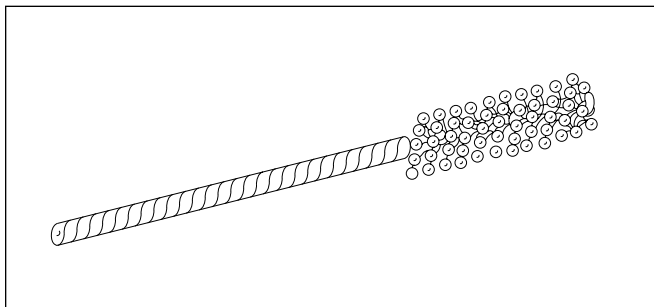
Part No. HD-34751 Nylon Valve Guide Cleaning Brush



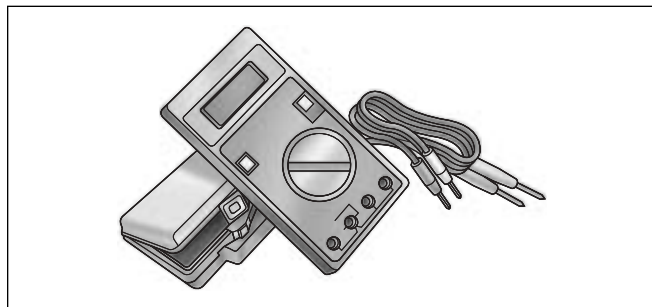
Part No. HD-34902-B Mainshaft Primary Bearing Race Remover And Installer



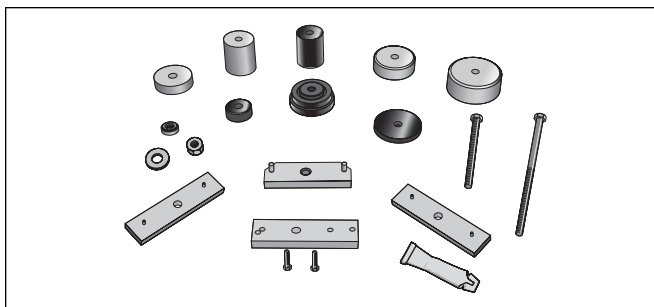
Part No. HD-35457 Black Light Leak Detector (Use with HD-28431-B)



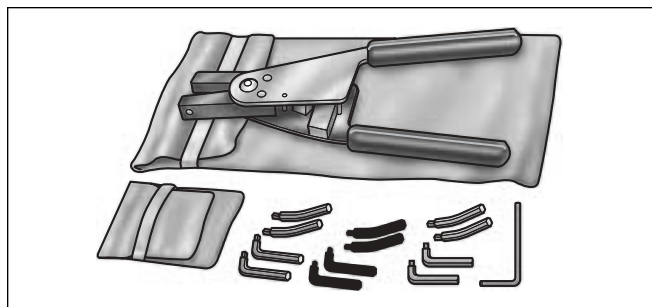
Part No. HD-35102 Wrist Pin Bushing Hone (20 mm)



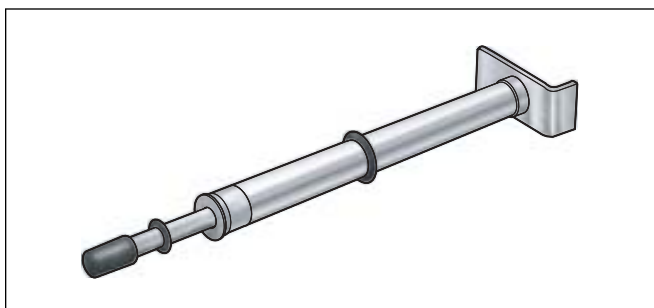
Part No. HD-35500-B Digital Multimeter (Fluke 23) (Use with HD-39617)



Part No. HD-35316-C Main Drive Gear Remover/Installer and Main Drive Gear Bearing Installer



Part No. HD-35518 Internal/External Retaining Ring Pliers



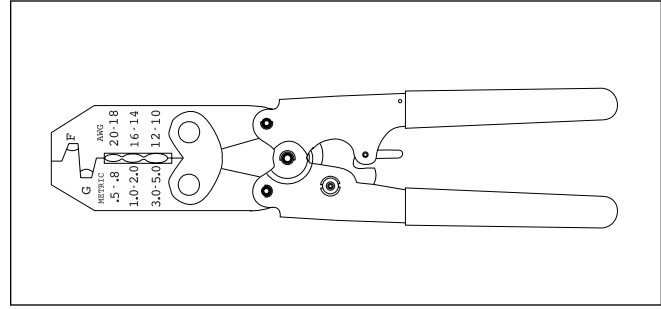
Part No. HD-35381-A Belt Tension Gauge



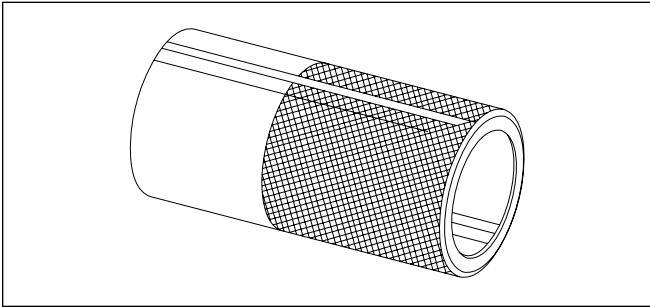
Part No. HD-35667-A Cylinder Leakdown Tester



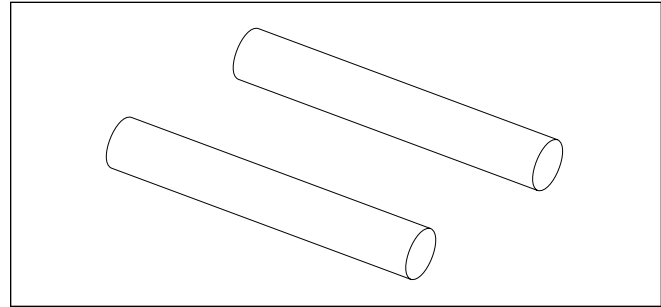
Part No. HD-35758-C Neway Valve Seat Cutter Set



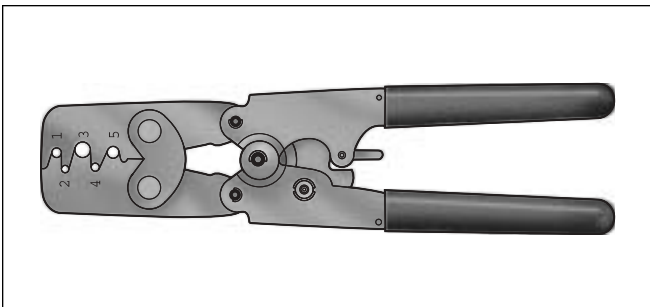
Part No. HD-38125-8 Packard Terminal Crimp Tool



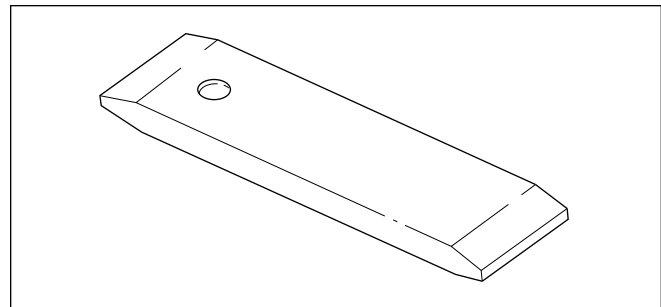
Part No. HD-36583 Fork Bushing / Seal Installer



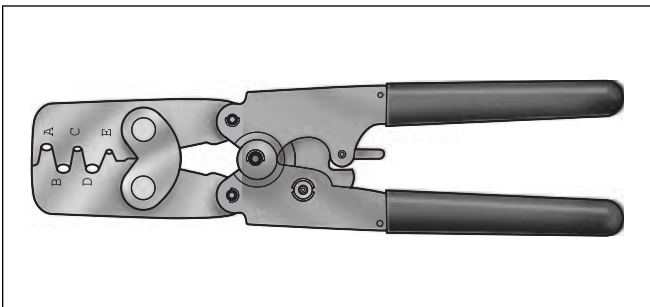
Part No. HD-38361 Cam Gear Gauge Pin Set
(0.108 in. (2.74 mm) Diameter)



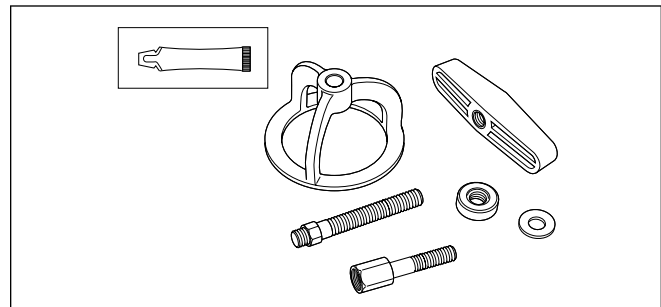
Part No. HD-38125-6 Packard Terminal Crimp Tool
(Sealed)



Part No. HD-38362 Sprocket Locking Link



Part No. HD-38125-7 Packard Terminal Crimp Tool
(Nonsealed)



Part No. HD 38515-A Clutch Spring Compressor

It's a preview. You can download the full file by clicking the link below.

<https://shopservicemanual.com/>

Service Manuals from 2\$