

SERVICE MANUAL

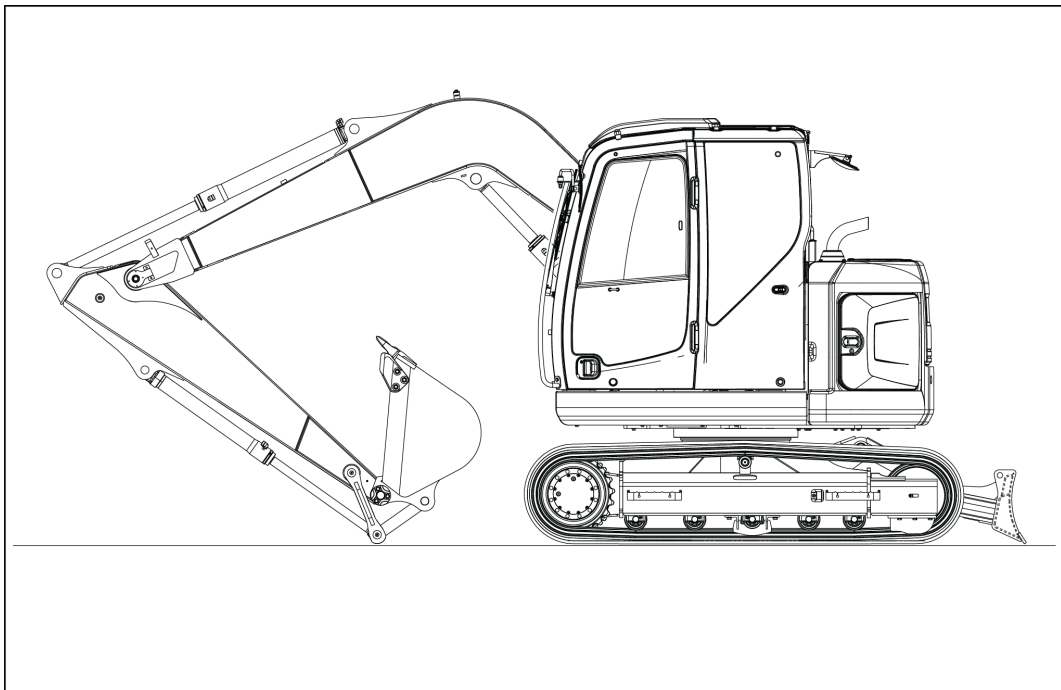
E85CMSR Midi Excavator

Part number 47516729A
English
April 2013





SERVICE MANUAL



E85CMSR

Contents

INTRODUCTION

Engine.....	10
[10.001] Engine and crankcase	10.1
[10.216] Fuel tanks	10.2
[10.202] Air cleaners and lines	10.3
[10.254] Intake and exhaust manifolds and muffler	10.4
[10.400] Engine cooling system	10.5
Hydraulic systems.....	35
[35.000] Hydraulic systems.....	35.1
[35.300] Reservoir, cooler, and filters.....	35.2
[35.106] Variable displacement pump	35.3
[35.102] Pump control valves.....	35.4
[35.304] Combination pump units	35.5
[35.359] Main control valve.....	35.6
[35.355] Hydraulic hand control	35.7
[35.356] Hydraulic foot control.....	35.8
[35.352] Hydraulic swing system	35.9
[35.353] Hydraulic travel system	35.10
[35.354] Hydraulic central joint	35.11
[35.736] Boom hydraulic system	35.12
[35.737] Dipper hydraulic system.....	35.13
[35.738] Excavator and backhoe bucket hydraulic system.....	35.14
[35.741] Dozer blade cylinders	35.15
Frames and ballasting	39
[39.101] Upper frame.....	39.1
[39.103] Swing ring assembly	39.2
[39.140] Ballasts and supports	39.3

Tracks and track suspension	48
[48.130] Track frame and driving wheels	48.1
[48.100] Tracks	48.2
[48.134] Track tension units	48.3
[48.138] Track rollers	48.4
Cab climate control	50
[50.200] Air conditioning	50.1
Electrical systems	55
[55.000] Electrical system	55.1
[55.100] Harnesses and connectors	55.2
[55.015] Engine control system	55.3
[55.201] Engine starting system	55.4
[55.302] Battery	55.5
[55.011] Fuel tank system	55.6
[55.640] Electronic modules	55.7
[55.512] Cab controls	55.8
[55.036] Hydraulic system control	55.9
[55.051] Cab Heating, Ventilation, and Air-Conditioning (HVAC) controls	55.10
[55.404] External lighting	55.11
[55.510] Cab or platform harnesses and connectors	55.12
[55.408] Warning indicators, alarms, and instruments	55.13
Booms, dippers, and buckets	84
[84.910] Boom	84.1
[84.912] Dipper arm	84.2
[84.100] Bucket	84.3
Dozer blade and arm	86
[86.110] Dozer blade	86.1
Platform, cab, bodywork, and decals	90

[90.150] Cab 90.1
[90.160] Cab interior trim and panels 90.2
[90.120] Mechanically-adjusted operator seat 90.3
[90.105] Machine shields and guards 90.4
[90.116] Fenders and guards 90.5

It's a preview. You can download the full file by clicking the link below.

<https://shopservicemanual.com/>

Service Manuals from 2\$