

SERVICE MANUAL

Boomer 30 / Boomer 35 Compact Tractor

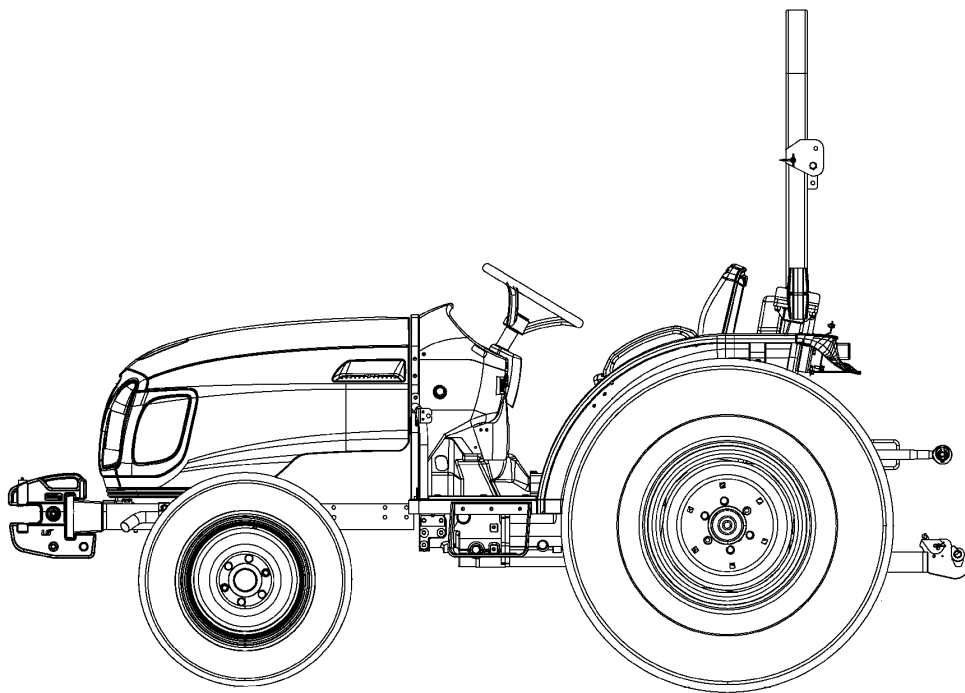
Part number 84373326

1st edition English
January 2011





SERVICE MANUAL



Boomer 30
Boomer 35

Contents

INTRODUCTION

HYDRAULIC - PNEUMATIC - ELECTRICAL - ELECTRONIC SYSTEMS A

PRIMARY HYDRAULIC POWER SYSTEM.....	A.10.A
PRIMARY HYDRAULIC POWER SYSTEM Open center mechanical remote valve.....	A.10.D
ELECTRICAL POWER SYSTEM	A.30.A
LIGHTING SYSTEM.....	A.40.A

ENGINE AND PTO IN B

ENGINE	B.10.A
FUEL AND INJECTION SYSTEM.....	B.20.A
ENGINE COOLANT SYSTEM	B.50.A
LUBRICATION SYSTEM	B.60.A
STARTING SYSTEM	B.80.A

TRANSMISSION, DRIVE AND PTO OUT C

POWER COUPLING Clutch.....	C.10.C
TRANSMISSION Mechanical	C.20.B
TRANSMISSION Hydrostatic.....	C.20.F
REAR PTO Mechanical	C.40.B
REAR PTO Hydraulic.....	C.40.C
MIDDLE PTO	C.44.A

AXLES, BRAKES AND STEERING..... D

FRONT AXLE	D.10.A
Final drive	D.15.A
STEERING Hydraulic.....	D.20.C
SERVICE BRAKE Mechanical	D.30.B
PARKING BRAKE Mechanical	D.32.B

FRAME AND CAB E

USER CONTROLS AND SEAT	E.32.A
SAFETY SECURITY ACCESSORIES Safety.....	E.50.B

HITCH AND WORKING TOOL H
HITCH Rear hitch..... H.10.C

It's a preview. You can download the full file by clicking the link below.

<https://shopservicemanual.com/>

Service Manuals from 2\$