

**ASET™ AC
DIESEL ENGINE
SERVICE MANUAL**

for Engines with Exhaust Gas Recirculation (EGR)



OCTOBER 2006
(REVISED)

5-111



PLEASE LET US KNOW!

Your comments and suggestions will help
us improve this manual!

Please complete and mail this form or FAX
your comments to: (610) 709-3800.

Manual: _____ Publication Number: _____

Vehicle Model: _____ Model Year: _____

Do you find procedures properly organized and easy to follow? Yes No

If not, please explain: _____

Manual page numbers: _____

Are there any important procedures or other information presently not in this
manual that you would like to see included? Yes No

If yes, please describe: _____

Did you find any errors in the procedures or illustrations? Yes No

If yes, what pages? _____

Please explain: _____

Please include a copy of each page in question and mark your comments and
suggestions.

Name: _____ Phone: (_____) _____ - _____

Company: _____

Address: _____

City: _____ State: _____ Zip: _____

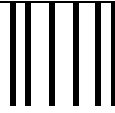
Position Title: _____

Thank You For Your Assistance
Mack Trucks, Inc.

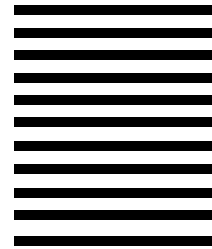
(ATTENTION: RTS STAFF, 6S3)

DO NOT STAPLE — USE TRANSPARENT TAPE

FOLD ALONG THIS LINE • DO NOT STAPLE • USE TRANSPARENT TAPE



NO POSTAGE
NECESSARY
IF MAILED
IN THE
UNITED STATES



BUSINESS REPLY MAIL
FIRST CLASS MAIL PERMIT NO. 1602 ALLENTOWN, PA

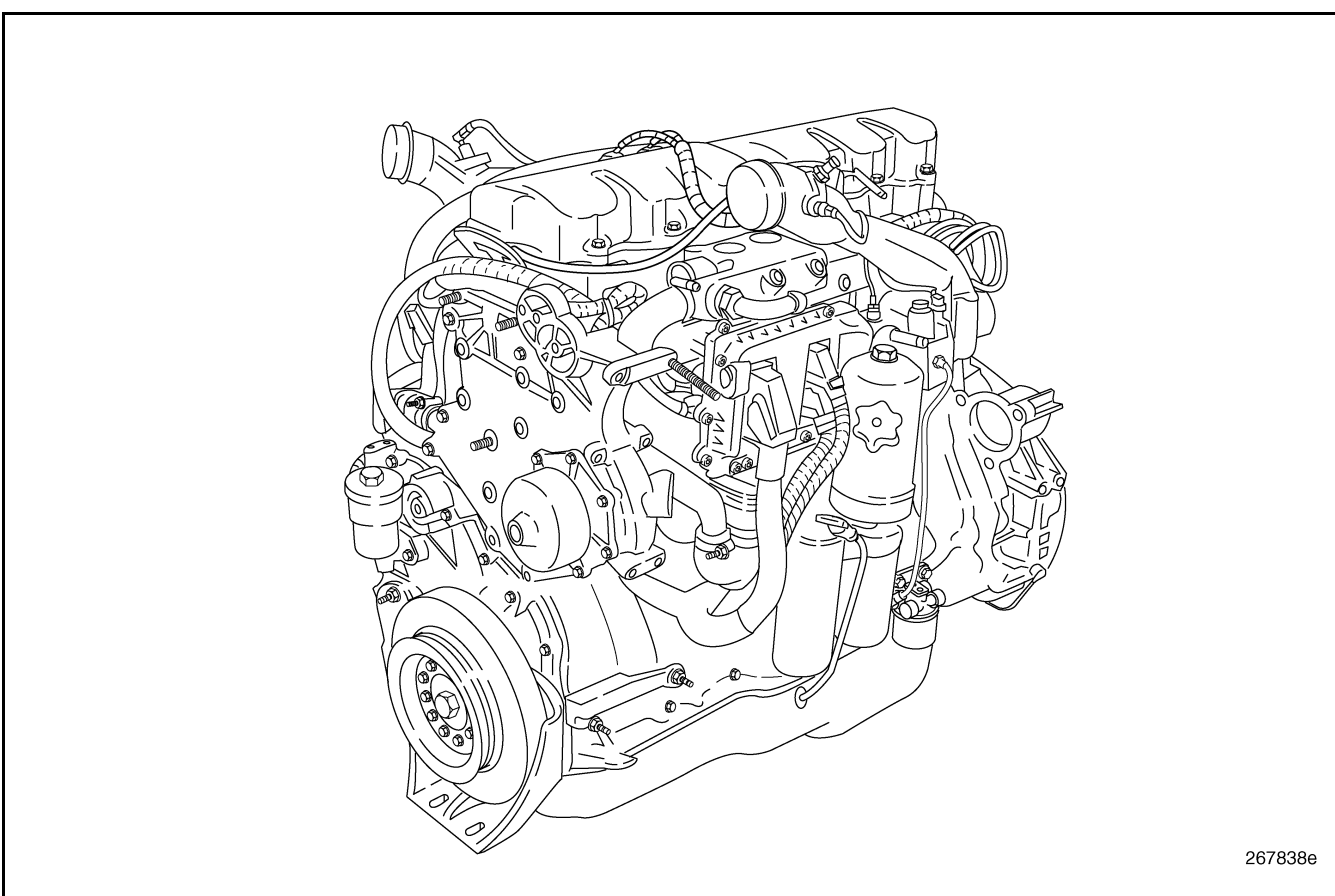
POSTAGE WILL BE PAID BY ADDRESSEE
SERVICE PUBLICATIONS (RTS), 6S3
MACK TRUCKS INC
WORLD HEADQUARTERS
PO BOX M
ALLENTOWN PA 18105-9972



FOLD ALONG THIS LINE



ASET™ AC ENGINE SERVICE MANUAL



267838e

View of ASET™ AC Engine

OCTOBER 2006
(REVISED — SUPERSEDES ISSUE DATED JANUARY 2005)

© MACK TRUCKS, INC. 2006
ENGINE 5-111



ATTENTION

The information in this manual is not all inclusive and cannot take into account all unique situations. Note that some illustrations are typical and may not reflect the exact arrangement of every component installed on a specific chassis.

The information, specifications, and illustrations in this publication are based on information that was current at the time of publication.

No part of this publication may be reproduced, stored in a retrieval system, or be transmitted in any form by any means including (but not limited to) electronic, mechanical, photocopying, recording, or otherwise without prior written permission of Mack Trucks, Inc.

It's a preview. You can download the full file by clicking the link below.

<https://shopservicemanual.com/>

Service Manuals from 2\$