



Repair

Manual

Tier III

Print No. 87659057A  
English

**ENGINES  
CNH NEF**

F4CE - F4DE - F4GE - F4HE

4 Cylinders, Mechanical  
and Electronic  
Drive Common Rail



**ENGINES  
CNH  
NEF**

**F4CE - F4DE - F4GE - F4HE**

**4 Cylinders, Mechanical and  
Electronic Drive Common Rail**

**Repair  
Manual**  
Tier III

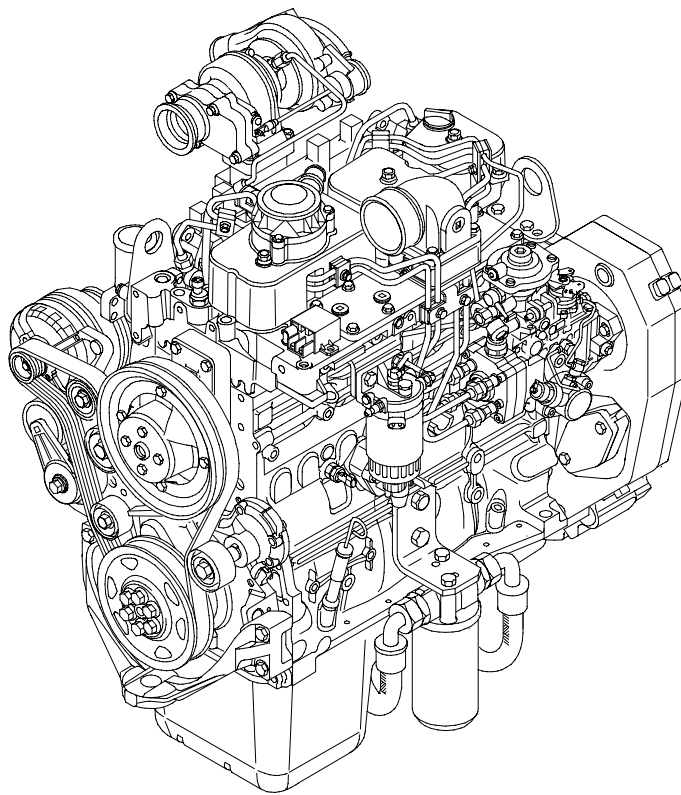
---

# REPAIR INSTRUCTION MANUAL

## CNH ENGINES

### ENGINES FAMILY:

**F4CE9484 - F4DE9484 - F4GE9484 - F4HE9484**



*All the information, illustrations and data provided by this manual are based upon the most recent information available at the time of its publication.*

*CNH ITALIA S.p.A. reserves the right to implement modifications, at any time, without communications.*



---

## FOREWORD

---

### TO THE READER

- This Manual is written for an expert technician to provide the technical information required to perform repair operations on this machine.
- Please read carefully this manual for the correct information regarding the repair procedures.
- For any question or comment, or in case any error regarding the content of this manual is found, you are asked to please contact:

CNH ITALIA S.p.A.  
Strada Settimo, 323  
San Mauro Torinese (TO)  
10099 ITALIA  
PARTS & SERVICE  
Fax ++39 011 0077357

---

### SYMBOLS

This manual includes safety warning symbols and indications to recall the attention on possible personal injuries or damages to the machine.



This symbol recalls the attention to points relative to safety.

When you see this symbol, it is necessary to proceed with attention since there is the possibility of personal injuries.

Comply scrupulously with the precautions identified by this symbol.

The safety warning symbol is also used to attract attention to the weight of a component or a part.

To prevent personal injuries or damages, make sure that the appropriate lifting equipment and techniques are implemented when handling heavy loads.

---

---

---

**FOREWORD**


---

**UNITS OF MEASURE**

In this manual, the units of measure of the IS (International System) are used.

The units of measure of the MKSA system are listed in parenthesis after the units of the International system.

Example: 24.5 Mpa (250 kgf/cm<sup>2</sup>).

Here below, a conversion table of the units of the IS and some units of measure of other systems is listed. as a reference.

Quantity	To convert from (SI)	into (Others)	Multiply by	Quantity	To convert from (SI)	into (Others)	Multiply by
Length	mm	in	0.03937	Pressure	MPa	kgf/cm <sup>2</sup>	10.197
	mm	ft	0.003281		MPa	psi	145.0
Volume	L	US gal	0.2642	Power	kW	PS	1.360
	L	US qt	1.057		kW	HP	
	m <sup>3</sup>	yd <sup>3</sup>	1.308	Temperature	°C	°F	°C x 1.8 + 32
Mass	kg	lb	2.205	Velocity	km/h	mph	0.6214
Force	N	kgf	0.10197		min <sup>-1</sup>	rpm	1.0
	N	lbf	0.2248	Flow	L/min	US gpm	0.2642
Torque	N.m	kgf.m	0.10197		mL/rev	cc/rev	1.0
	N.m	lbf.ft	0.7375				

It's a preview. You can download the full file by clicking the link below.

<https://shopservicemanual.com/>

Service Manuals from 2\$