

---

# 1850K

(Tier 3)

CRAWLER DOZER

## Service manual

Print No. 87388581A English



THIS ALERT SYMBOL SIGNALS IMPORTANT MESSAGES INVOLVING YOUR SAFETY.

Read and heed carefully the safety instructions listed and follow the precautions recommended to avoid potential risks and to safeguard your health and your safety.

You will find this symbol in the text of this Manual referred to the following key words:

**WARNING** - Cautions directed to avoid improper repair interventions involving potential consequences for the safety of the personnel performing the repairs.

**DANGER** - These warnings qualify specifically potential dangers for the safety of the operator or other persons directly or indirectly involved.

### IMPORTANT NOTICE

All maintenance and repair interventions explained in this Manual **must be performed exclusively by the Service Organization of the Manufacturer**, observing strictly the instructions explained using, whenever necessary, the recommended specific tools.

Whoever performs the operations reported without following exactly the precautions is responsible on his own, for the damages that may result.

Neither the Factory nor any Organizations in its Distribution Network, including but not limited to national, regional or local distributors, are responsible for any liability arising from any damage resulting from defects caused by parts and/or components not approved by the Factory for use in maintaining and/or repairing products manufactured or merchandised by the Factory.

In any case, no warranty of any kind is made or shall be imposed with respect to products manufactured or merchandised by the Factory, when failures are caused by the use of parts and/or components not approved by the Factory.

---

---

## AVOID ACCIDENTS

Most accidents, whether they occur in industry, on the farm, at home or on the road, are caused by the failure of some individuals to follow simple and fundamental safety rules and precautions. For this reason **MOST ACCIDENTS CAN BE PREVENTED** by recognizing the real cause and doing something about it before the accident occurs.

Regardless of the care used in the design and construction of any type of equipment, there are many conditions that cannot be completely safeguarded against without interfering in the reasonable accessibility and efficient operation.

A careful operator is the best insurance against an accident. The complete observance of one simple rule would prevent many serious accidents.

The rule is simple: never attempt to clean, lubricate or maintain a machine while it is in motion.



### **WARNING**

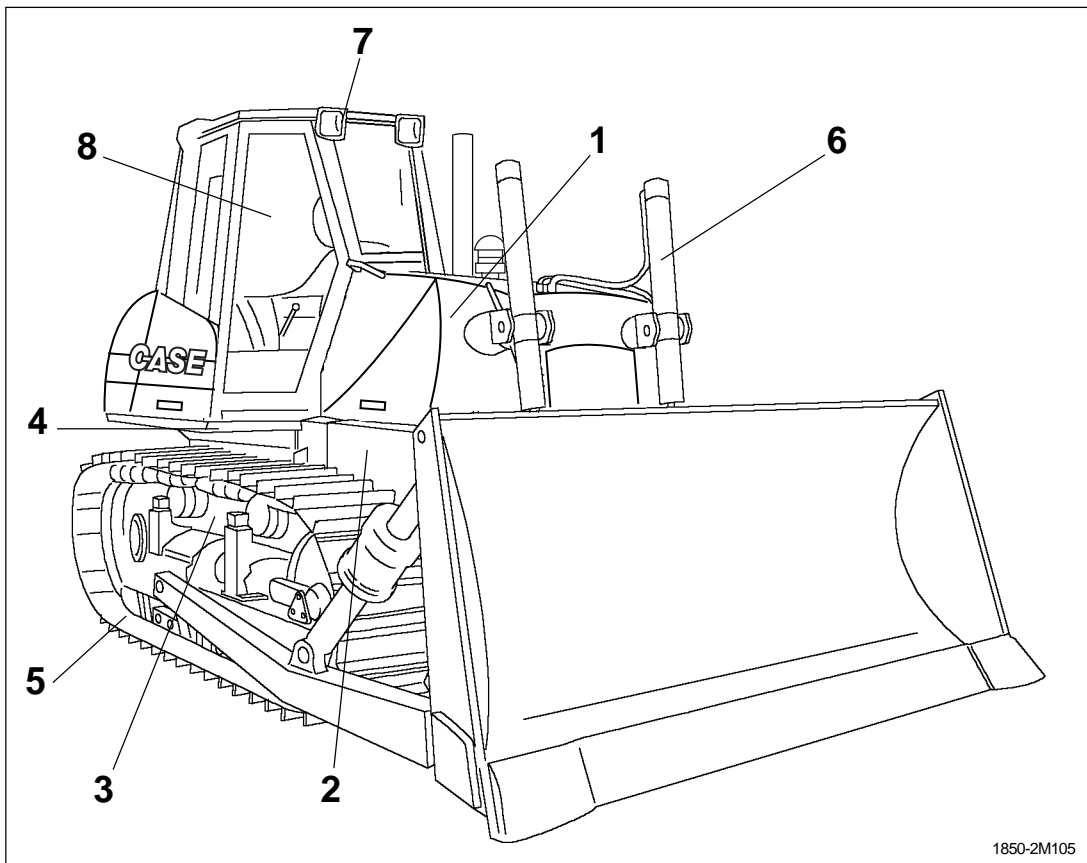
**Prior to engaging in any maintenance, adjustment or repair operation on machines having hydraulically, mechanically, and/or cable controlled equipment (such as shovels, loaders, dozers, excavators etc.) be certain the equipment is lowered to the ground.**

**If it is necessary to have the equipment partially or fully raised to gain access to certain items, be sure the equipment is suitably supported by means other than the devices used for controlling the equipment.**

---

# SUMMARY

<b>GENERALITIES</b>	<b>SECT. 0</b>
<b>ENGINE</b>	<b>SECT. 1</b>
<b>TRANSMISSION</b>	<b>SECT. 2</b>
<b>FINAL DRIVES</b>	<b>SECT. 3</b>
<b>BRAKES AND STEERING</b>	<b>SECT. 4</b>
<b>UNDERCARRIAGE</b>	<b>SECT. 5</b>
<b>DOZING EQUIPMENT</b>	<b>SECT. 6</b>
<b>HYDRAULIC SYSTEM</b>	
<b>ELECTRICAL SYSTEM</b>	<b>SECT. 7</b>
<b>AIR CONDITIONING UNIT</b>	<b>SECT. 8</b>





**SECTION 0**  
**GENERALITIES**

**TABLE OF CONTENTS**

SUBJECT	PAGE
SAFETY RULES .....	III-X
IDENTIFICATION DATA .....	0-3
Table of fluids used .....	0-5
Main dimensions 1850K BD .....	0-6
Main dimensions 1850K PAT .....	0-7
Technical data .....	0-8
1850K (LGP) .....	0-22
1850K (LT/XLT) .....	0-23
WEIGHT TABLE 1850K .....	0-24
LIST OF WEIGHTS FOR MAIN SERVICE COMPONENTS .....	0-25
STABILITY .....	0-27
GENERAL INSTRUCTIONS .....	0-28
TROUBLESHOOTING .....	0-34
UNITS OF MEASURE .....	0-35
TABLE OF TIGHTENING TORQUES .....	0-37

It's a preview. You can download the full file by clicking the link below.

<https://shopservicemanual.com/>

Service Manuals from 2\$