

327B & 330B Articulated Trucks

Service Manual

Print No. 84187913

First Edition

English 09/09

From serial no. ZCNAD30TP8P457003

CASE
CONSTRUCTION



SERVICE MANUAL

ARTICULATED TRUCKS

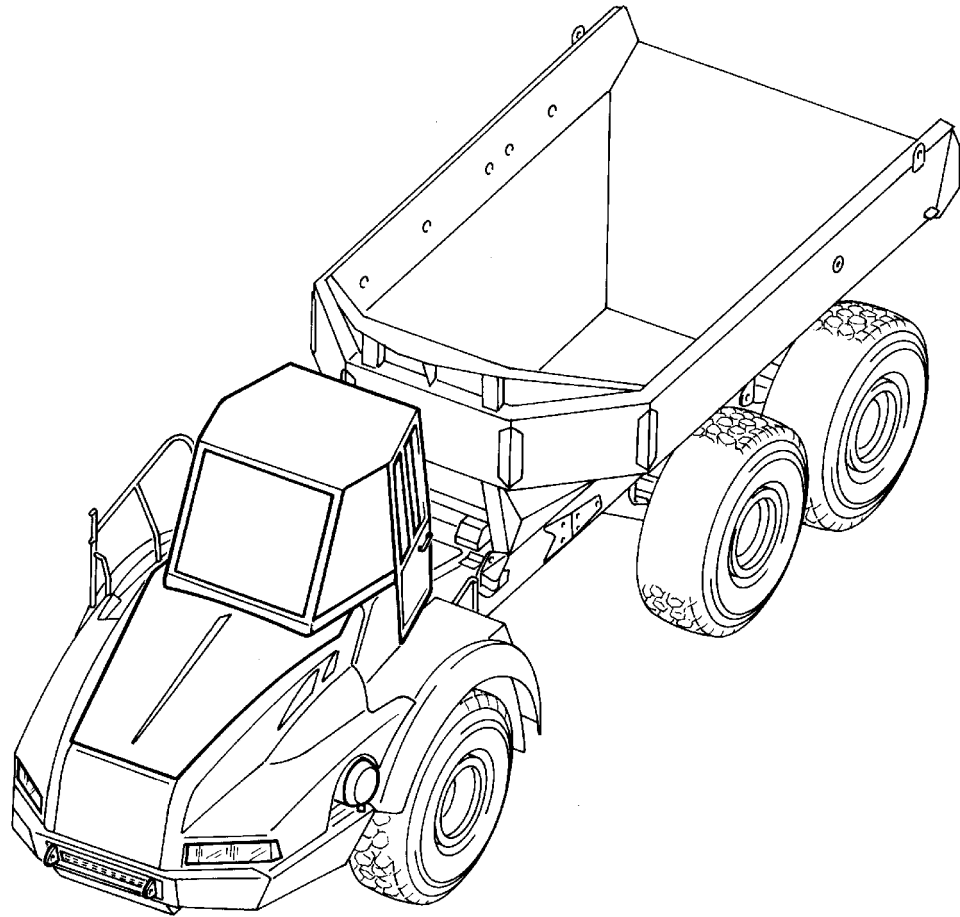
327B-330B

CNH America L.L.C. reserves the right to make improvements in design or changes in specifications at any time without incurring any obligation to install them on units previously sold.

All data given in this publication is subject to production variations. Dimensions and weights are only approximate. Illustrations do not necessarily show products in standard condition. For exact information about any particular product, please consult your Dealer.

Revision History				
Issue	Issue Date	Applicable Machines	Print Number	Remarks
First Printing	9-2009	327B, 330B	84187913	ASN ZCNAD30TP8P457003

Figure 1



276R0M01T

Page left intentionally blank

It's a preview. You can download the full file by clicking the link below.

<https://shopservicemanual.com/>

Service Manuals from 2\$