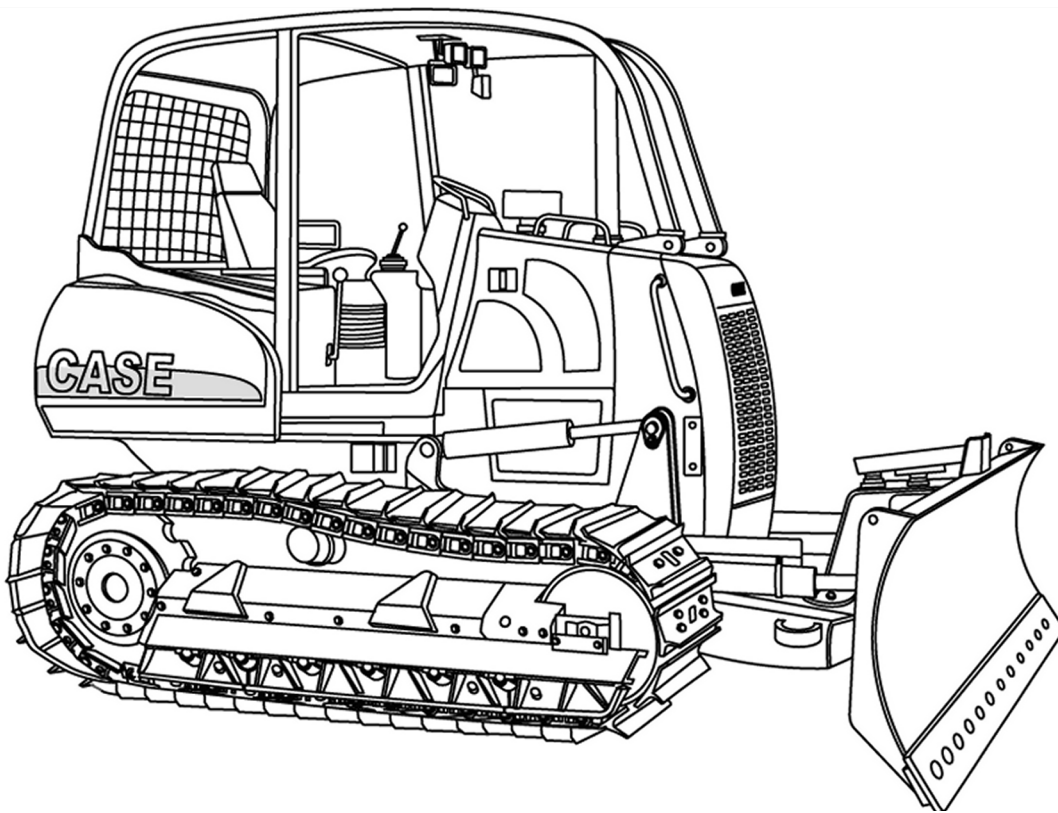


**CASE**  
CONSTRUCTION

# SERVICE MANUAL CRAWLER DOZER 650L TIER3



84276960

Replaces 84260831

Issued October 2009

# Contents

---

## INTRODUCTION

## DISTRIBUTION SYSTEMS..... A

PRIMARY HYDRAULIC POWER SYSTEM..... A.10.A

SECONDARY HYDRAULIC POWER SYSTEM..... A.12.A

ELECTRICAL POWER SYSTEM ..... A.30.A

LIGHTING SYSTEM..... A.40.A

FAULT CODES ..... A.50.A

## POWER PRODUCTION ..... B

ENGINE ..... B.10.A

FUEL AND INJECTION SYSTEM..... B.20.A

AIR INTAKE SYSTEM..... B.30.A

LUBRICATION SYSTEM ..... B.60.A

## POWER TRAIN ..... C

TRANSMISSION Hydrostatic..... C.20.F

## TRAVELLING..... D

Final drive ..... D.15.A

SERVICE BRAKE Hydraulic..... D.30.C

WHEELS AND TRACKS Tracks ..... D.50.B

## BODY AND STRUCTURE ..... E

USER CONTROLS AND SEAT ..... E.32.A

USER CONTROLS AND SEAT Operator seat ..... E.32.C

USER PLATFORM ..... E.34.A

ENVIRONMENT CONTROL Heating system ..... E.40.B

ENVIRONMENT CONTROL Air-conditioning system ..... E.40.C

ENVIRONMENT CONTROL Heating, ventilation and air-conditioning..... E.40.D

SAFETY SECURITY ACCESSORIES Safety ..... E.50.B

## TOOL POSITIONING ..... G

LIFTING ..... G.10.A

TILTING .....	G.20.A
SWINGING .....	G.40.A
<b>TOOLS AND COUPLERS.....</b>	<b>J</b>
DIGGING Non-articulated digging tools .....	J.20.B
LANDSCAPING Dozer blade.....	J.40.F





## INTRODUCTION

It's a preview. You can download the full file by clicking the link below.

<https://shopservicemanual.com/>

Service Manuals from 2\$