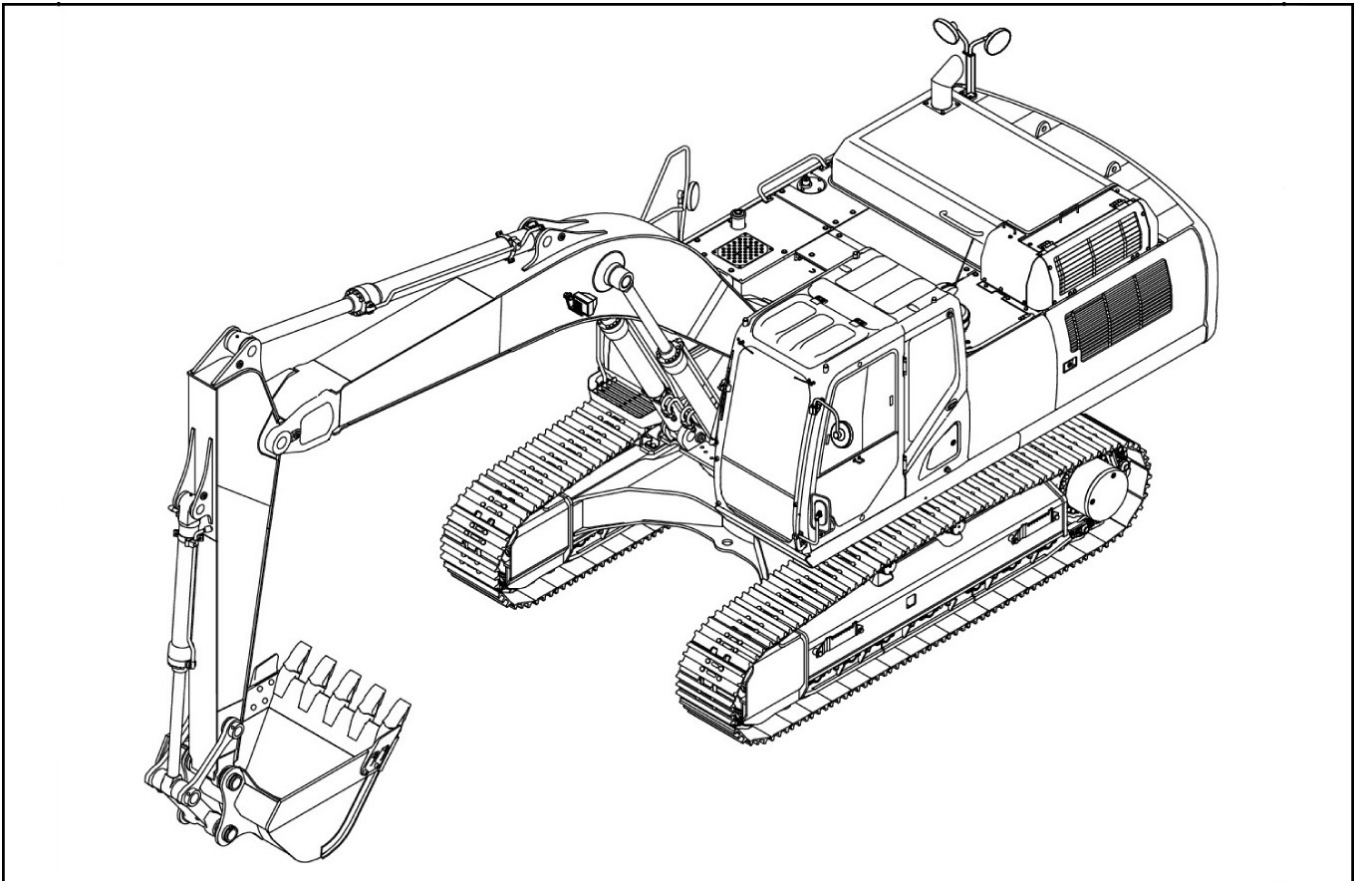




# SERVICE MANUAL

**Lep 84420825B EN**



## **CX300C Tier 4 Crawler Excavator**

# CRAWLER EXCAVATORS CX300C TIER 4 SERVICE MANUAL

## TABLE OF CONTENTS

DIVISION/SECTION	SECTION N°
<b>1 GENERAL INFORMATION</b>	
Safety, general information and standard torque data .....	1001
Specifications .....	1002A
Main Equipment Table .....	1002B
Main Unit Weight .....	1002C
Maintenance Standards .....	1002D
Bolt Size and Torque Table .....	1002E
Overall View .....	1002F
List of Special Tools .....	1003
Fluid and Lubricants .....	1004
Conversion Table .....	1005
Abbreviations .....	1900
<b>2 ENGINE</b>	
Removal and Installation of Engine Assembly .....	2000
Removal and Installation of the Fuel Cooler Engine Inter-Cooler Radiator and Oil Cooler .....	2001
Removal and Installation of Turbo Charger .....	2004
Removal and Installation of EGR Cooler and EGR Valve .....	2005
Removal and Installation of Engine Hood .....	2006
Removal and Installation of Muffler .....	2007
Primary specifications .....	2401
Removal and Installation of Cylinder Head .....	2415
Removal and Installation of Cylinder Block .....	2425
Lubrication System .....	2445
Cooling System .....	2455
Removal and Installation of Exhaust Manifold .....	2465
Disassembly, Removal and Installation of DPD Assembly .....	2470
<b>3 FUEL SYSTEM</b>	
Removal and Installation of Fuel Tank .....	3001
Removal and Installation of Fuel Supply Pump .....	3004A
Removal and Installation of Common Rail Assembly .....	3004B
Removal and Installation of Injector .....	3005
<b>4 ELECTRICAL SYSTEM</b>	
Electrical and Engine Basic Functions .....	4001A
Service Support .....	4001B
Engine Function, Structure, Operation .....	4001C
Symptom .....	4001E
Functional Inspection .....	4001F
Engine, Electronic and Programming Maintenance Precautions .....	4001G
Removal and Installation of Starter Motor .....	4004
Removal and Installation of Alternator .....	4005
Preheating System .....	4008
Electrical Equipment Layout Diagram .....	4020A
Connection Connector Pin Layout .....	4020B
Sequence Circuit Diagram .....	4020C
Engine-side DTC List .....	4021
Main Unit-side DTC List .....	4022
Introduction to the trouble diagnosis .....	4023B
Engine Control System .....	4023D
Engine-side Trouble .....	4023G

# TABLE OF CONTENTS

DIVISION/SECTION	SECTION N°
Main Unit-side Trouble . . . . .	4023H
Data Reference Values . . . . .	4023K
Electrical Wiring Diagram . . . . .	4040
<b>5 UNDERCARRIAGE</b>	
Removal and Installation of Shoe Assembly . . . . .	5001A
Removal and Installation of Shoe Plate . . . . .	5001B
Removal and Installation of Upper Roller . . . . .	5003A
Assembly and Disassembly of Upper Roller . . . . .	5003B
Removal and Installation of Lower Roller . . . . .	5003C
Assembly and Disassembly of Lower Roller . . . . .	5003D
Removal and Installation of the Sprocket . . . . .	5004
Removal and Installation of Take-up Roller . . . . .	5005A
Assembly and Disassembly of Take-up Roller . . . . .	5005B
Removal and Installation of Grease Cylinder . . . . .	5005C
Assembly and Disassembly of Grease Cylinder . . . . .	5005D
<b>6 DRIVE TRAIN</b>	
Removal and Installation of Travel Motor . . . . .	6001
Assembly and Disassembly of Travel Motor . . . . .	6002
Removal and Installation of Swing Unit . . . . .	6003
Assembly and Disassembly of Swing Unit . . . . .	6004
<b>7 UNDERCARRIAGE HYDRAULICS</b>	
<b>8 UPPERSTRUCTURE HYDRAULICS</b>	
Overall view . . . . .	8001A
Port Diagram . . . . .	8001B
Pressure Measurement and Adjustment Procedures . . . . .	8001D
Hydraulic Pump Flow Measurement Procedures . . . . .	8001E
Drain Volume Measurement Procedures . . . . .	8001F
Air Bleed Procedure . . . . .	8001G
Removal and Installation of Hydraulic Oil Tank . . . . .	8002
Removal and Installation of Hydraulic Pump . . . . .	8003
Removal and Installation of Control Valve . . . . .	8004
Removal and Installation of Bucket Cylinder . . . . .	8005A
Removal and Installation of Arm Cylinder . . . . .	8005B
Removal and Installation of Boom Cylinder . . . . .	8005C
Removal and Installation of Center Joint . . . . .	8006
Removal and Installation of Travel Remote Control Valve . . . . .	8007A
Removal and Installation of Operation Remote Control Valve . . . . .	8007B
Removal and Installation of 5 Stack Solenoid . . . . .	8007C
Removal and Installation of Cushion Valve . . . . .	8007D
Procedures for Assembly and Disassembly of Hydraulic Pump Main Unit . . . . .	8008
Pump Main Unit Maintenance Standards . . . . .	8010
Procedures for Assembly and Disassembly of Control Valve . . . . .	8011
Procedures for Operation/Assembly and Disassembly of Hydraulic Cylinder . . . . .	8012
Procedures for Assembly and Disassembly of Operation Remote Control Valve . . . . .	8013
Procedures for Assembly and Disassembly of Travel Remote Control Valve . . . . .	8014
Assembly and Disassembly of Cushion Valve . . . . .	8016
Removal and Installation of Arm HBCV . . . . .	8017A
Removal and Installation of Boom HBCV . . . . .	8017B
Assembly and Disassembly of Center Joint . . . . .	8018
Assembly and Disassembly of Swing Motor . . . . .	8019
Explanation of Hydraulic Circuit and Operations (standard model) . . . . .	8020A
Explanation of Hydraulic Circuit and Operations (option) . . . . .	8020B

# TABLE OF CONTENTS

DIVISION/SECTION	SECTION N°
Structure and Operation Explanation of Hydraulic Pump .....	8030A
Structure and Operation Explanation of Travel Motor .....	8030B
Structure and Operation Explanation of Swing Motor .....	8030C
Structure and Operation Explanation of Control Valve .....	8030D
5 Stack Solenoid Valve Operation Explanation .....	8030E
Structure and Operation Explanation of Upper Pilot Valve (remote control valve) .....	8030F
Structure and Operation Explanation of Travel Pilot Valve (remote control valve) .....	8030G
Structure and Operation Explanation of Cushion Valve .....	8030H
<b>9 UPPERSTRUCTURE</b>	
Removal and Installation of Counterweight .....	9002
Removal and Installation of Bucket .....	9003A
Removal and Installation of Bucket Link .....	9003B
Removal and Installation of Arm .....	9003C
Removal and Installation of Boom .....	9003D
Removal and Installation of Operator's Seat .....	9004
Removal and Installation of Cab Assembly .....	9005A
Removal and Installation of Wiper .....	9005B
Removal and Installation of Wiper Controller .....	9005C
Removal and Installation of Wiper Motor .....	9005D
Removal and Installation of Monitor .....	9005E
Removal and Installation of Cab Front Glass .....	9005F
Window Lock Adjustment Procedures .....	9005G
Cab Tightening torque .....	9005H
Air Conditioner Overall Diagram .....	9006
Assembly and Disassembly of Air Conditioner Units .....	9007
Removal and Installation of Compressor .....	9009
Removal and Installation of Condenser .....	9010
Removal and Installation of Receiver Dryer .....	9011
Air Conditioning Gas Vacuum and Filling Operations .....	9015
<b>10 LARGE SIZE SCHEMATICS</b>	
Large size hydraulic schematics .....	84420833EN
Large size electrical schematics .....	84420831EN

NOTE: CNH France S.A. Company reserves the right to make changes in the specification and design of the machine without prior notice and without incurring any obligation to modify units previously sold.

The description of the models shown in this manual has been made in accordance with the technical specifications known as of the date of design of this document.

All data given in this manual is subject to production variations. Dimensions and weights are provided with approximate values and the machine fitting shown in the illustrations may not correspond with standard models. For precise information on specific machine models and versions, please contact your CASE dealer.

Reproduction or translation, even partial, is prohibited without written authorization from CNH France SA Company.



It's a preview. You can download the full file by clicking the link below.

<https://shopservicemanual.com/>

Service Manuals from 2\$