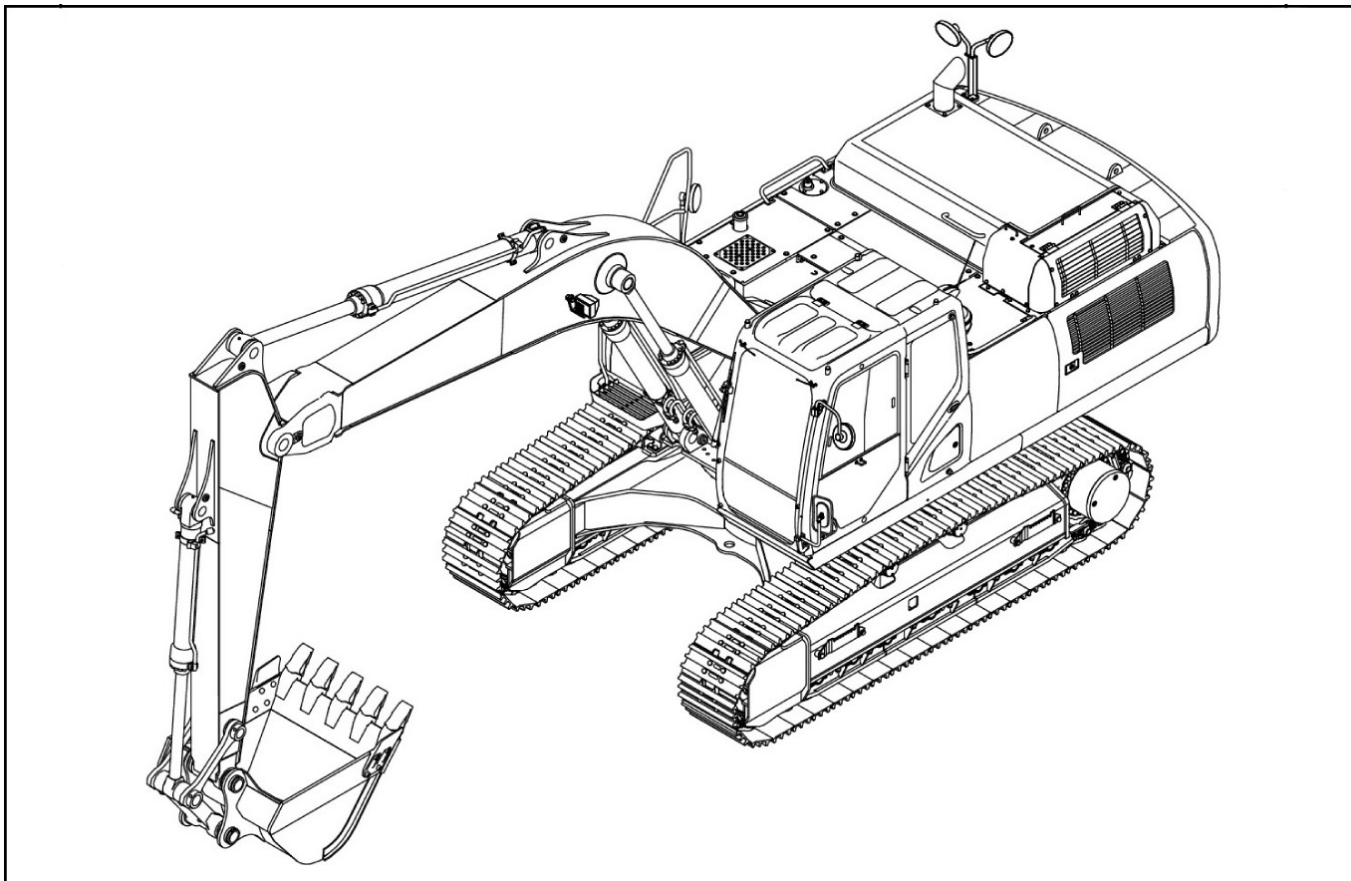




SERVICE MANUAL

Lep 84402827B EN



CX350C - CX370C Tier 4 Crawler Excavator

CRAWLER EXCAVATORS CX350C - CX370C TIER 4 SERVICE MANUAL

TABLE OF CONTENTS

DIVISION/SECTION	SECTION N°
1 GENERAL INFORMATION	
Safety, general information and standard torque data	1001
Specifications	1002A
Main Equipment Table	1002B
Main Unit Weight	1002C
Maintenance Standards	1002D
Bolt Size and Torque Table	1002E
Overall View	1002F
List of Special Tools	1003
Fluid and Lubricants	1004
Conversion Table	1005
Abbreviations	1900
2 ENGINE	
Removal and Installation of Engine Assembly	2000
Removal and Installation of the Fuel Cooler Engine Inter-Cooler Radiator and Oil Cooler	2001
Removal and Installation of Turbo Charger	2004
Removal and Installation of EGR Cooler and EGR Valve	2005
Removal and Installation of Engine Hood	2006
Removal and Installation of Muffler	2007
Primary specifications	2401
Removal and Installation of Cylinder Head	2415
Removal and Installation of Cylinder Block	2425
Lubrication System	2445
Cooling System	2455
Removal and Installation of Exhaust Manifold	2465
Disassembly, Removal and Installation of DPD Assembly	2470
3 FUEL SYSTEM	
Removal and Installation of Fuel Tank	3001
Removal and Installation of Fuel Supply Pump	3004A
Removal and Installation of Common Rail Assembly	3004B
Removal and Installation of Injector	3005
4 ELECTRICAL SYSTEM	
Electrical and Engine Basic Functions	4001A
Service Support	4001B
Function, Structure, Operation	4001C
Symptom	4001E
Functional Inspection	4001F
Maintenance Precautions	4001G
Removal and Installation of Starter Motor	4004
Removal and Installation of Alternator	4005
Preheating System	4008
Electrical Equipment Layout Diagram	4020A
Connection Connector Pin Layout	4020B
Sequence Circuit Diagram	4020C
Engine-side DTC List	4021
Main Unit-side DTC List	4022
Introduction to the trouble diagnosis	4023B
Engine Control System	4023D
Engine-side Trouble	4023G
Main Unit-side Trouble	4023H

TABLE OF CONTENTS

DIVISION/SECTION	SECTION N°
Data Reference Values	4023K
Electrical Wiring Diagram	4040
5 UNDERCARRIAGE	
Removal and Installation of Shoe Assembly	5001A
Removal and Installation of Shoe Plate	5001B
Removal and Installation of Upper Roller	5003A
Assembly and Disassembly of Upper Roller	5003B
Removal and Installation of Lower Roller	5003C
Assembly and Disassembly of Lower Roller	5003D
Removal and Installation of the Sprocket	5004
Removal and Installation of Take-up Roller	5005A
Assembly and Disassembly of Take-up Roller	5005B
Removal and Installation of Grease Cylinder	5005C
Assembly and Disassembly of Grease Cylinder	5005D
6 DRIVE TRAIN	
Removal and Installation of Travel Motor	6001
Assembly and Disassembly of Travel Motor	6002
Removal and Installation of Swing Unit	6003
Assembly and Disassembly of Swing Unit	6004
7 UNDERCARRIAGE HYDRAULICS	
8 UPPERSTRUCTURE HYDRAULICS	
Overall view	8001A
Port Diagram	8001B
Pressure Measurement and Adjustment Procedures	8001D
Hydraulic Pump Flow Measurement Procedures	8001E
Drain Volume Measurement Procedures	8001F
Air Bleed Procedure	8001G
Removal and Installation of Hydraulic Oil Tank	8002
Removal and Installation of Hydraulic Pump	8003
Removal and Installation of Control Valve	8004
Removal and Installation of Bucket Cylinder	8005A
Removal and Installation of Arm Cylinder	8005B
Removal and Installation of Boom Cylinder	8005C
Removal and Installation of Center Joint	8006
Removal and Installation of Travel Remote Control Valve	8007A
Removal and Installation of Operation Remote Control Valve	8007B
Removal and Installation of 4 Stack Solenoid	8007C
Removal and Installation of Cushion Valve	8007D
Procedures for Assembly and Disassembly of Hydraulic Pump Main Unit	8008
Pump Main Unit Maintenance Standards	8010
Procedures for Assembly and Disassembly of Control Valve	8011
Procedures for Operation/Assembly and Disassembly of Hydraulic Cylinder	8012
Procedures for Assembly and Disassembly of Operation Remote Control Valve	8013
Procedures for Assembly and Disassembly of Travel Remote Control Valve	8014
Assembly and Disassembly of Cushion Valve	8016
Removal and Installation of Arm HBCV	8017A
Removal and Installation of Boom HBCV	8017B
Assembly and Disassembly of Center Joint	8018
Assembly and Disassembly of Swing Motor	8019
Explanation of Hydraulic Circuit and Operations (standard model)	8020A
Explanation of Hydraulic Circuit and Operations (option)	8020B

TABLE OF CONTENTS

DIVISION/SECTION	SECTION N°
Structure and Operation Explanation of Hydraulic Pump	8030A
Structure and Operation Explanation of Travel Motor	8030B
Structure and Operation Explanation of Swing Motor	8030C
Structure and Operation Explanation of Control Valve	8030D
4 Stack Solenoid Valve Operation Explanation	8030E
Structure and Operation Explanation of Upper Pilot Valve (remote control valve)	8030F
Structure and Operation Explanation of Travel Pilot Valve (remote control valve)	8030G
Structure and Operation Explanation of Cushion Valve	8030H
9 UPPERSTRUCTURE	
Removal and Installation of Counterweight	9002
Removal and Installation of Bucket	9003A
Removal and Installation of Bucket Link	9003B
Removal and Installation of Arm	9003C
Removal and Installation of Boom	9003D
Removal and Installation of Operator's Seat	9004
Removal and Installation of Cab Assembly	9005A
Removal and Installation of Wiper	9005B
Removal and Installation of Wiper Controller	9005C
Removal and Installation of Wiper Motor	9005D
Removal and Installation of Monitor	9005E
Removal and Installation of Cab Front Glass	9005F
Window Lock Adjustment Procedures	9005G
Cab Tightening torque	9005H
Air Conditioner Overall Diagram	9006
Assembly and Disassembly of Air Conditioner Units	9007
Removal and Installation of Compressor	9009
Removal and Installation of Condenser	9010
Removal and Installation of Receiver Dryer	9011
Air Conditioning Gas Vacuum and Filling Operations	9015
10 LARGE SIZE SCHEMATICS	
Large size hydraulic schematics	84402838EN
Large size electrical schematics	84402837EN

NOTE: CNH France S.A. Company reserves the right to make changes in the specification and design of the machine without prior notice and without incurring any obligation to modify units previously sold.

The description of the models shown in this manual has been made in accordance with the technical specifications known as of the date of design of this document.

All data given in this manual is subject to production variations. Dimensions and weights are provided with approximate values and the machine fitting shown in the illustrations may not correspond with standard models. For precise information on specific machine models and versions, please contact your CASE dealer.

Reproduction or translation, even partial, is prohibited without written authorization from CNH France SA Company.

It's a preview. You can download the full file by clicking the link below.

<https://shopservicemanual.com/>

Service Manuals from 2\$