

**Farmall 95U Efficient Power
Farmall 105U Efficient Power
Farmall 115U Efficient Power
Tractor**

SERVICE MANUAL

Part number 84568025

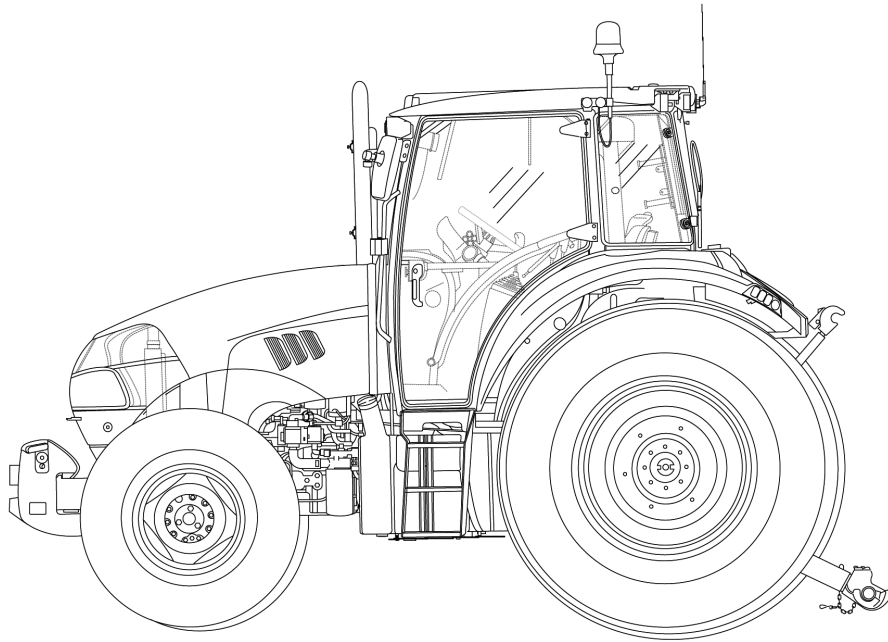
English

March 2013

Copyright © 2013 CNH Europe Holding S.A. All Rights Reserved.



SERVICE MANUAL



Farmall 105U EP
Farmall 115U EP
Farmall 95U EP

Link Product / Engine

Product	Market Product	Engine
Farmall 105U EP	North America	F5DFL413B*A006
Farmall 105U EP	Europe	F5DFL413B*A006
Farmall 105U EP	International Region	F5DFL413B*A006
Farmall 115U EP	North America	F5DFL413A*A002
Farmall 115U EP	Europe	F5DFL413A*A002
Farmall 115U EP	International Region	F5DFL413A*A002
Farmall 95U EP	Europe	F5DFL413C*A003
Farmall 95U EP	International Region	F5DFL413C*A003

Contents

INTRODUCTION

Engine	10
[10.001] Engine and crankcase	10.1
[10.414] Fan and drive	10.2
[10.501] Exhaust Gas Recirculation (EGR) - Diesel Particulate Filter (DPF) exhaust treatment	10.3
Clutch	18
[18.112] Slip clutch or flywheel damper	18.1
Transmission	21
[21.118] Transmission/Rear drive	21.1
[21.112] Power shuttle transmission.....	21.2
[21.104] Power shuttle transmission lubrication system.....	21.3
[21.134] Power shuttle transmission external controls	21.4
[21.148] Transmission/Rear drive internal components	21.5
[21.154] Power shuttle transmission internal components	21.6
[21.145] Gearbox internal components.....	21.7
[21.160] Creeper	21.8
[21.168] Hi-Lo unit.....	21.9
Four-Wheel Drive (4WD) system	23
[23.202] Electro-hydraulic control	23.1
[23.304] Four-Wheel Drive (4WD) gearbox	23.2
[23.314] Drive shaft.....	23.3
Front axle system	25
[25.100] Powered front axle	25.1
[25.102] Front bevel gear set and differential	25.2
[25.108] Final drive hub, steering knuckles, and shafts	25.3
Rear axle system	27

[27.100] Powered rear axle.....	27.1
[27.106] Rear bevel gear set and differential.....	27.2
[27.120] Planetary and final drives	27.3
Power Take-Off (PTO).....	31
[31.104] Rear electro-hydraulic control.....	31.1
[31.116] Three-speed rear Power Take-Off (PTO)	31.2
[31.114] Two-speed rear Power Take-Off (PTO)	31.3
Brakes and controls	33
[33.202] Hydraulic service brakes	33.1
[33.204] Front axle brake.....	33.2
[33.110] Parking brake or parking lock	33.3
[33.220] Trailer brake hydraulic control.....	33.4
Hydraulic systems.....	35
[35.000] Hydraulic systems.....	35.1
[35.355] Hydraulic hand control	35.2
[35.204] Remote control valves	35.3
[35.114] Three-point hitch control valve	35.4
Hitches, drawbars, and implement couplings.....	37
[37.110] Rear three-point hitch	37.1
Steering.....	41
[41.200] Hydraulic control components.....	41.1
[41.206] Pump.....	41.2
[41.216] Cylinders	41.3
Wheels.....	44
[44.511] Front wheels.....	44.1
Electrical systems.....	55
[55.000] Electrical system	55.1

It's a preview. You can download the full file by clicking the link below.

<https://shopservicemanual.com/>

Service Manuals from 2\$