

## 506C, 506CHL, 508C Loadalls

[Section 1 - General Information](#)

[Section 2 - Care and Safety](#)

[Section 3 - Routine Maintenance](#)

[Section A - Attachments](#)

[Section B - Body and Framework](#)

[Section C - Electrics](#)

[Section D - Controls](#)

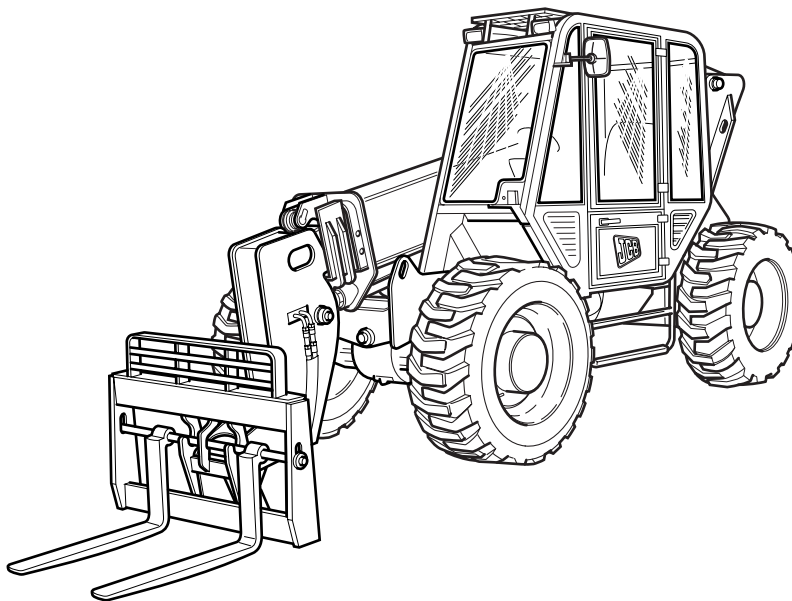
[Section E - Hydraulics](#)

[Section F - Transmissions](#)

[Section G - Brakes](#)

[Section H - Steering](#)

[Section K - Engine](#)



Publication No.  
**9803/3640U-8**



Copyright © 2004 JCB SERVICE. All rights reserved. No part of this publication may be reproduced, stored in a retrieval system, or transmitted in any form or by any other means, electronic, mechanical, photocopying or otherwise, without prior permission from JCB SERVICE.

## General Information

Service Manual - 506C, 506CHL, 508C Loadalls

[Section 1 - General Information](#)

[Section 2 - Care and Safety](#)

[Section 3 - Routine Maintenance](#)

[Section A - Attachments](#)

[Section B - Body and Framework](#)

[Section C - Electrics](#)

[Section D - Controls](#)

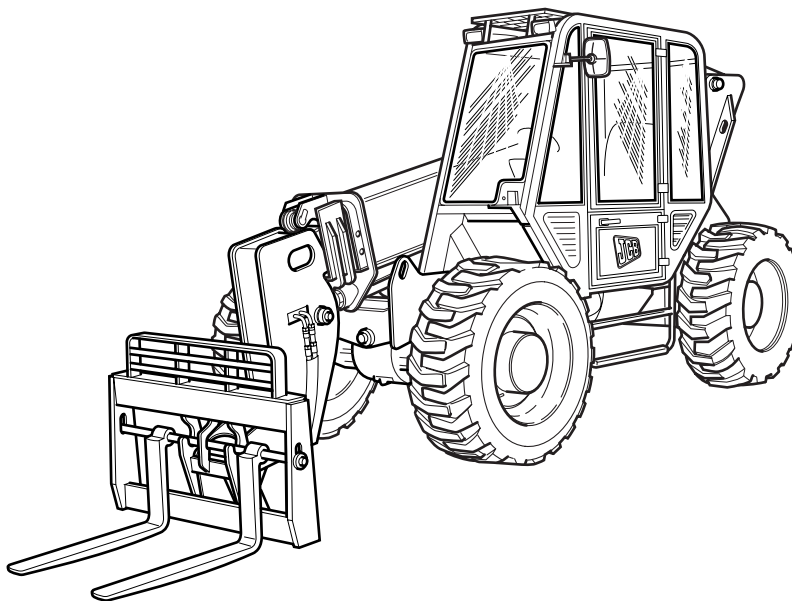
[Section E - Hydraulics](#)

[Section F - Transmissions](#)

[Section G - Brakes](#)

[Section H - Steering](#)

[Section K - Engine](#)



Publication No.  
**9803/3640U-8**



Copyright © 2004 JCB SERVICE. All rights reserved. No part of this publication may be reproduced, stored in a retrieval system, or transmitted in any form or by any other means, electronic, mechanical, photocopying or otherwise, without prior permission from JCB SERVICE.





# Section 1 - General Information

---

<b>Contents</b>	<b>Page No.</b>
<b>Introduction</b>	
About This Manual .....	1 - 1
Machine Model and Serial Number .....	1 - 1
Using the Service Manual .....	1 - 1
Units of Measurement .....	1 - 1
Section Numbering .....	1 - 1
Left Side, Right Side .....	1 - 2
Using the Machine .....	1 - 2
Cab/Canopy .....	1 - 2
Cross References .....	1 - 2
Identifying Your Machine .....	1 - 3
Machine Identification Plate .....	1 - 3
Component Identification Plates .....	1 - 5
<b>Standard Torque Settings</b>	
Zinc Plated Fasteners and Dacromet Fasteners .....	1 - 8
Introduction .....	1 - 8
Bolts and Screws .....	1 - 8
Hydraulic Connections .....	1 - 12
'O' Ring Face Seal System .....	1 - 12
'Torque Stop' Hose System .....	1 - 15
<b>Service Tools</b>	
Numerical List .....	1 - 16
Tool Detail Reference .....	1 - 19
Section B - Frame and Bodywork .....	1 - 19
Section C - Electrics .....	1 - 23
Section E - Hydraulics .....	1 - 24
Section F - Transmission .....	1 - 29
Section H - Steering .....	1 - 30
Section K - Engine .....	1 - 31
<b>Service Consumables</b>	
Sealing and Retaining Compounds .....	1 - 32
<b>Terms and Definitions</b>	
Colour Coding .....	1 - 33
Hydraulic Schematic Colour Codes .....	1 - 33



**Page left intentionally blank**

It's a preview. You can download the full file by clicking the link below.

<https://shopservicemanual.com/>

Service Manuals from 2\$