

SERVICE MANUAL

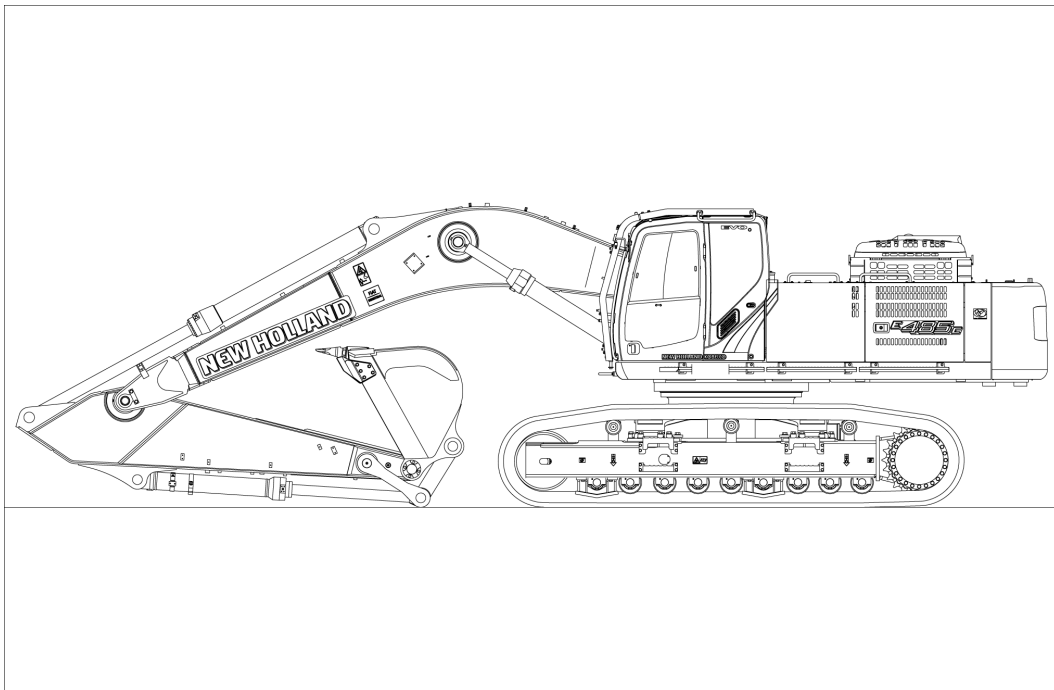
E485C Crawler Excavator

Part number 47483341A
English
January 2013





SERVICE MANUAL



E485C

Contents

INTRODUCTION

Engine.....	10
[10.001] Engine and crankcase	10.1
[10.102] Pan and covers	10.2
[10.106] Valve drive and gears	10.3
[10.101] Cylinder heads	10.4
[10.105] Connecting rods and pistons.....	10.5
[10.103] Crankshaft and flywheel.....	10.6
[10.114] Pump drives	10.7
[10.216] Fuel tanks	10.8
[10.210] Lift pump and lines	10.9
[10.206] Fuel filters	10.10
[10.218] Fuel injection system.....	10.11
[10.202] Air cleaners and lines	10.12
[10.250] Turbocharger and lines.....	10.13
[10.254] Intake and exhaust manifolds and muffler	10.14
[10.400] Engine cooling system	10.15
[10.414] Fan and drive	10.16
[10.304] Engine lubrication system.....	10.17
[10.408] Oil cooler and lines.....	10.18
[10.501] Exhaust Gas Recirculation (EGR) - Diesel Particulate Filter (DPF) exhaust treatment	10.19
Hydraulic systems.....	35
[35.000] Hydraulic systems.....	35.1
[35.300] Reservoir, cooler, and filters.....	35.2
[35.106] Variable displacement pump	35.3
[35.102] Pump control valves.....	35.4

[35.359] Main control valve	35.5
[35.355] Hydraulic hand control	35.6
[35.356] Hydraulic foot control.....	35.7
[35.352] Hydraulic swing system	35.8
[35.353] Hydraulic travel system	35.9
[35.736] Boom hydraulic system	35.10
[35.737] Dipper hydraulic system.....	35.11
[35.738] Excavator and backhoe bucket hydraulic system.....	35.12
[35.354] Hydraulic central joint	35.13
Frames and ballasting	39
[39.101] Upper frame	39.1
[39.103] Swing ring assembly	39.2
[39.140] Ballasts and supports	39.3
Tracks and track suspension.....	48
[48.100] Tracks	48.1
[48.134] Track tension units	48.2
[48.138] Track rollers	48.3
Cab climate control	50
[50.200] Air conditioning.....	50.1
Electrical systems	55
[55.000] Electrical system	55.1
[55.100] Harnesses and connectors.....	55.2
[55.015] Engine control system.....	55.3
[55.201] Engine starting system	55.4
[55.301] Alternator.....	55.5
[55.302] Battery.....	55.6
[55.010] Fuel injection system.....	55.7
[55.012] Engine cooling system	55.8
[55.013] Engine oil system	55.9

[55.640] Electronic modules	55.10
[55.036] Hydraulic system control	55.11
[55.051] Cab Heating, Ventilation, and Air-Conditioning (HVAC) controls.....	55.12
[55.DTC] FAULT CODES	55.13
Lubrication system.....	71
[71.460] Grease lubrication system	71.1
Booms, dippers, and buckets	84
[84.910] Boom.....	84.1
[84.100] Bucket.....	84.2
Platform, cab, bodywork, and decals.....	90
[90.150] Cab.....	90.1
[90.124] Pneumatically-adjusted operator seat.....	90.2
[90.105] Machine shields and guards	90.3
[90.116] Fenders and guards	90.4

It's a preview. You can download the full file by clicking the link below.

<https://shopservicemanual.com/>

Service Manuals from 2\$