

# SERVICE MANUAL

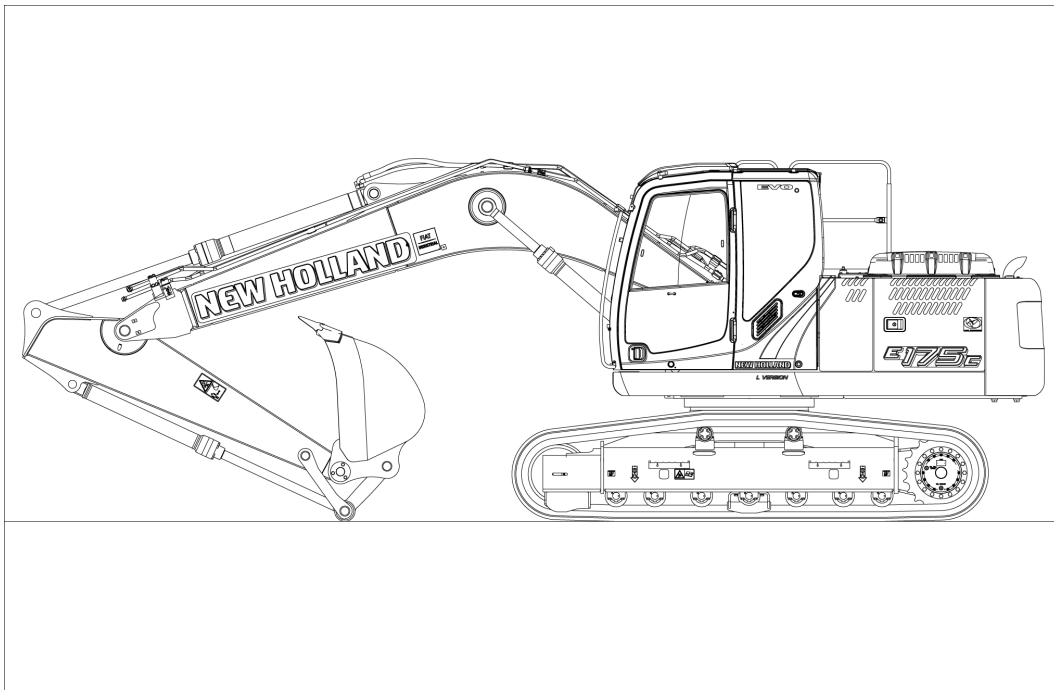
## E175C Crawler Excavator

Part number 47494131A  
English  
February 2013





## SERVICE MANUAL



**E175C**

# Contents

---

## INTRODUCTION

|   |       |
|---|-------|
| Engine.....   | 10    |
| [10.001] Engine and crankcase .....                         | 10.1  |
| [10.202] Air cleaners and lines .....                       | 10.2  |
| [10.216] Fuel tanks .....                                   | 10.3  |
| [10.254] Intake and exhaust manifolds and muffler .....     | 10.4  |
| [10.400] Engine cooling system .....                        | 10.5  |
| Hydraulic systems.....                                      | 35    |
| [35.000] Hydraulic systems.....                             | 35.1  |
| [35.102] Pump control valves.....                           | 35.2  |
| [35.106] Variable displacement pump .....                   | 35.3  |
| [35.300] Reservoir, cooler, and filters.....                | 35.4  |
| [35.352] Hydraulic swing system .....                       | 35.5  |
| [35.353] Hydraulic travel system .....                      | 35.6  |
| [35.354] Hydraulic central joint .....                      | 35.7  |
| [35.355] Hydraulic hand control .....                       | 35.8  |
| [35.356] Hydraulic foot control.....                        | 35.9  |
| [35.359] Main control valve.....                            | 35.10 |
| [35.736] Boom hydraulic system .....                        | 35.11 |
| [35.737] Dipper hydraulic system.....                       | 35.12 |
| [35.738] Excavator and backhoe bucket hydraulic system..... | 35.13 |
| Frames and ballasting .....                                 | 39    |
| [39.101] Upper frame.....                                   | 39.1  |
| [39.103] Swing ring assembly .....                          | 39.2  |
| [39.140] Ballasts and supports .....                        | 39.3  |
| Tracks and track suspension .....                           | 48    |
| [48.100] Tracks .....                                       | 48.1  |

|  |           |
|--|-----------|
| [48.130] Track frame and driving wheels .....                                | 48.2      |
| [48.134] Track tension units .....   | 48.3      |
| [48.138] Track rollers .....   | 48.4      |
| <b>Cab climate control .....</b>   | <b>50</b> |
| [50.200] Air conditioning.....   | 50.1      |
| <b>Electrical systems .....</b>  | <b>55</b> |
| [55.000] Electrical system .....   | 55.1      |
| [55.015] Engine control system.....  | 55.2      |
| [55.036] Hydraulic system control .....                                      | 55.3      |
| [55.051] Cab Heating, Ventilation, and Air-Conditioning (HVAC) controls..... | 55.4      |
| [55.100] Harnesses and connectors.....                                       | 55.5      |
| [55.302] Battery.....  | 55.6      |
| [55.640] Electronic modules .....  | 55.7      |
| [55.DTC] FAULT CODES.....  | 55.8      |
| <b>Booms, dippers, and buckets .....</b>                                     | <b>84</b> |
| [84.100] Bucket.....   | 84.1      |
| [84.910] Boom .....  | 84.2      |
| <b>Platform, cab, bodywork, and decals .....</b>                             | <b>90</b> |
| [90.105] Machine shields and guards .....                                    | 90.1      |
| [90.116] Fenders and guards.....   | 90.2      |
| [90.124] Pneumatically-adjusted operator seat.....                           | 90.3      |
| [90.150] Cab.....  | 90.4      |



It's a preview. You can download the full file by clicking the link below.

<https://shopservicemanual.com/>

Service Manuals from 2\$