

570T Backhoe Loader

SERVICE MANUAL

Part number 47576089

English

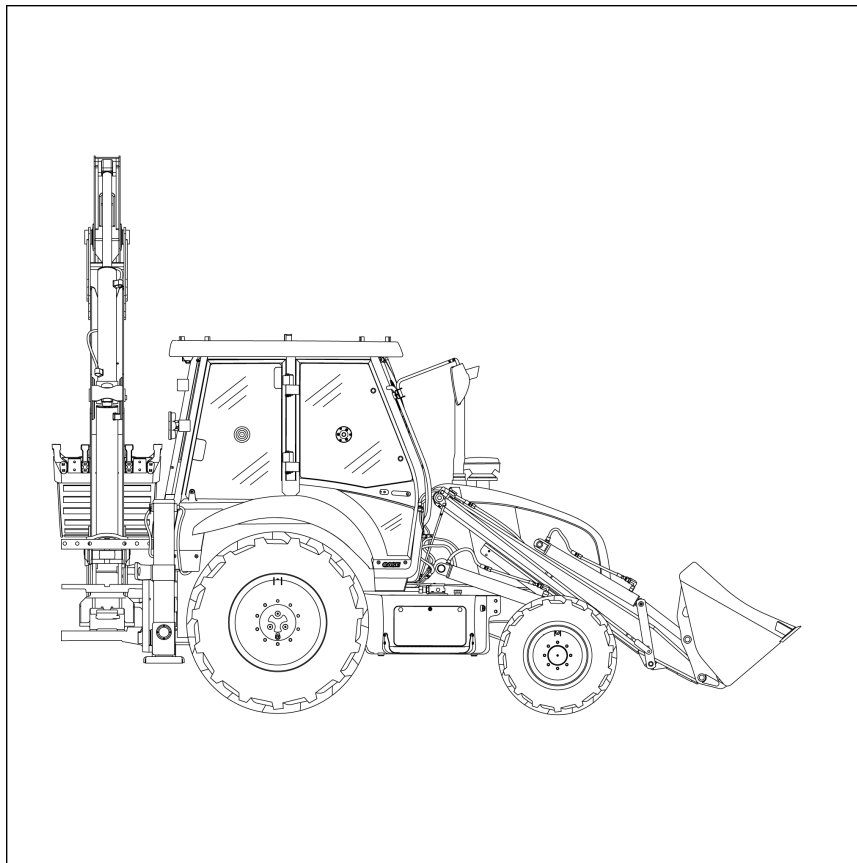
June 2014

Copyright © 2014 CNH CONSTRUCTION EQUIPMENT (INDIA) Pvt. Ltd. All rights reserved.

CASE
CONSTRUCTION



SERVICE MANUAL



570T

Contents

INTRODUCTION

Engine	10
[10.001] Engine and crankcase	10.1
[10.102] Pan and covers	10.2
[10.106] Valve drive and gears	10.3
[10.101] Cylinder heads	10.4
[10.105] Connecting rods and pistons.....	10.5
[10.103] Crankshaft and flywheel.....	10.6
[10.114] Pump drives	10.7
[10.216] Fuel tanks	10.8
[10.210] Lift pump and lines	10.9
[10.218] Fuel injection system.....	10.10
[10.220] Throttle linkage	10.11
[10.250] Turbocharger and lines.....	10.12
[10.254] Intake and exhaust manifolds and muffler	10.13
[10.400] Engine cooling system	10.14
[10.304] Engine lubrication system.....	10.15
[10.310] Aftercooler.....	10.16
Transmission	21
[21.100] Mechanical transmission lubrication system	21.1
[21.112] Power shuttle transmission.....	21.2
[21.134] Power shuttle transmission external controls	21.3
[21.154] Power shuttle transmission internal components	21.4
[21.700] Torque converter	21.5
Front axle system	25
[25.100] Powered front axle	25.1
[25.102] Front bevel gear set and differential	25.2

[25.108] Final drive hub, steering knuckles, and shafts	25.3
[25.400] Non-powered front axle	25.4
Rear axle system	27
[27.100] Powered rear axle	27.1
[27.106] Rear bevel gear set and differential	27.2
[27.124] Final drive hub, steering knuckles, and shafts	27.3
Brakes and controls	33
[33.202] Hydraulic service brakes	33.1
[33.110] Parking brake or parking lock	33.2
Hydraulic systems.....	35
[35.000] Hydraulic systems.....	35.1
[35.300] Reservoir, cooler, and filters.....	35.2
[35.104] Fixed displacement pump.....	35.3
[35.359] Main control valve	35.4
[35.724] Front loader hydraulic system control.....	35.5
[35.701] Front loader arm hydraulic system	35.6
[35.723] Front loader bucket hydraulic system	35.7
[35.726] Excavator and backhoe hydraulic controls.....	35.8
[35.736] Boom hydraulic system	35.9
[35.737] Dipper hydraulic system.....	35.10
[35.738] Excavator and backhoe bucket hydraulic system.....	35.11
[35.739] Swing arm hydraulic system	35.12
[35.AAA] Hydraulic systems generic sub-group.....	35.13
Frames and ballasting	39
[39.129] Stabilizers	39.1
Steering.....	41
[41.101] Steering control	41.1

[41.200] Hydraulic control components.....	41.2
[41.216] Cylinders	41.3
Wheels	44
[44.511] Front wheels.....	44.1
[44.520] Rear wheels.....	44.2
[44.AAA] Wheels generic sub-group	44.3
Cab climate control	50
[50.100] Heating.....	50.1
[50.200] Air conditioning	50.2
Electrical systems	55
[55.100] Harnesses and connectors.....	55.1
[55.201] Engine starting system	55.2
[55.301] Alternator.....	55.3
[55.518] Wiper and washer system.....	55.4
Front loader and bucket.....	82
[82.100] Arm.....	82.1
[82.300] Bucket.....	82.2
Booms, dippers, and buckets	84
[84.114] Boom pivoting support	84.1
[84.910] Boom.....	84.2
[84.912] Dipper arm	84.3
Platform, cab, bodywork, and decals.....	90
[90.150] Cab.....	90.1
[90.154] Cab doors and hatches	90.2
[90.156] Cab glazing	90.3
[90.100] Engine hood and panels	90.4

It's a preview. You can download the full file by clicking the link below.

<https://shopservicemanual.com/>

Service Manuals from 2\$