

8040, 8045, 8050, 8055

[Section 1 - General Information](#)

[Section 2 - Care and Safety](#)

[Section 3 - Maintenance](#)

[Section A - Attachments](#)

[Section B - Body and Framework](#)

[Section C - Electrics](#)

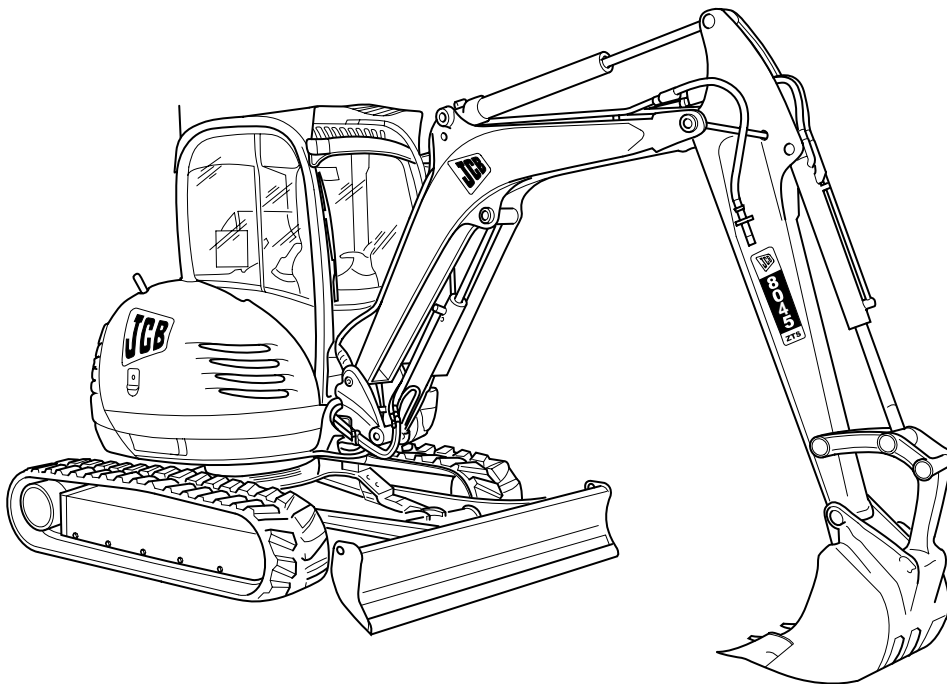
[Section D - Controls](#)

[Section E - Hydraulics](#)

[Section F - Gearboxes](#)

[Section J - Track and Running Gear](#)

[Section K - Engine](#)



Publication No.
9813/1850-1



Copyright © 2004 JCB SERVICE. All rights reserved. No part of this publication may be reproduced, stored in a retrieval system, or transmitted in any form or by any other means, electronic, mechanical, photocopying or otherwise, without prior permission from JCB SERVICE.

Issued by JCB Technical Publications, JCB Aftermarket Training, Woodseat, Rocester, Staffordshire, ST14 5BW, England. Tel +44 1889 591300 Fax +44 1889 591400

World Class
Customer Support

General Information

[Section 1 - General Information](#)

[Section 2 - Care and Safety](#)

[Section 3 - Maintenance](#)

[Section A - Attachments](#)

[Section B - Body and Framework](#)

[Section C - Electrics](#)

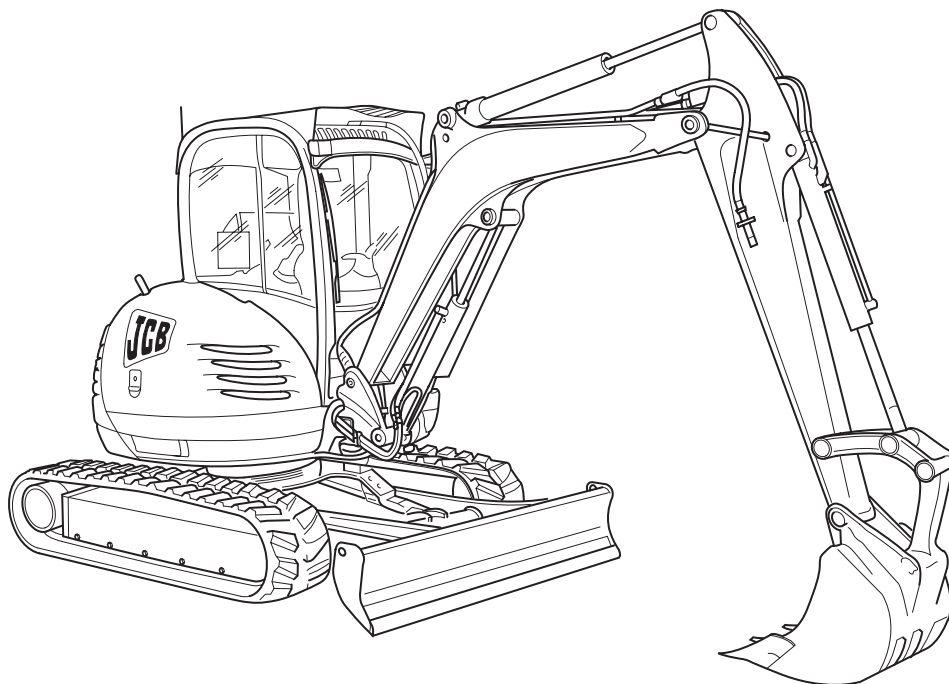
[Section D - Controls](#)

[Section E - Hydraulics](#)

[Section F - Gearboxes](#)

[Section J - Track and Running Gear](#)

[Section K - Engine](#)



Publication No.
9813/1850-1



Copyright © 2004 JCB SERVICE. All rights reserved. No part of this publication may be reproduced, stored in a retrieval system, or transmitted in any form or by any other means, electronic, mechanical, photocopying or otherwise, without prior permission from JCB SERVICE.

Issued by JCB Technical Publications, JCB Aftermarket Training, Woodseat, Rocester, Staffordshire, ST14 5BW, England. Tel +44 1889 591300 Fax +44 1889 591400

World Class
Customer Support

Contents	Page No.
Introduction	
About this Manual	1-1
Machine Model and Serial Number	1-1
Using the Service Manual	1-1
Section Numbering	1-1
Left Side, Right Side	1-2
Cross References	1-2
Identifying Your Machine	
Identification Plates	1-3
Machine Identification Plate	1-3
Typical Product Identification Number (PIN)	1-3
Typical Engine Identification Number	1-4
ROPS, TOPS and FOGS	1-5
Standard Torque Settings	
Zinc Plated Fasteners and Dacromet Fasteners	1-7
Introduction	1-7
Bolts and Screws	1-7
Hydraulic Connections	1-11
'O' Ring Face Seal System	1-11
'Torque Stop' Hose System	1-14
Service Tools	
Numerical List	1-15
Tool Detail Reference	1-18
Section B - Frame and Bodywork	1-18
Section C - Electrics	1-22
Section E - Hydraulics	1-23
Section K - Engine	1-28
Service Consumables	
Sealing and Retaining Compounds	1-29
Terms and Definitions	
Colour Coding	1-31
Hydraulic Schematic Colour Codes	1-31



Contents

Page No.

It's a preview. You can download the full file by clicking the link below.

<https://shopservicemanual.com/>

Service Manuals from 2\$