

Shop Manual

614 SERIES

DIESEL ENGINE

This material is proprietary to Komatsu America Corp. and is not to be reproduced, used, or disclosed except in accordance with written authorization from Komatsu America Corp.

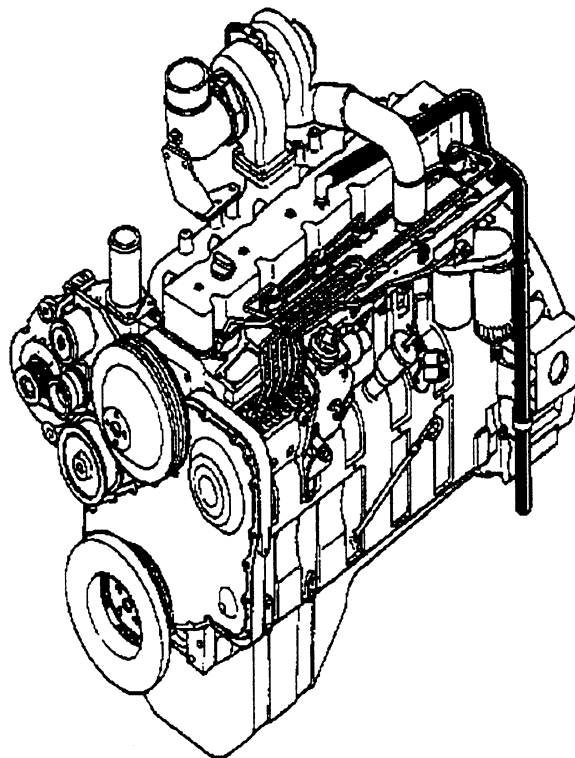
It is our policy to improve our products whenever it is possible and practical to do so. We reserve the right to make changes or improvements at any time without incurring any obligation to install such changes on products sold previously.

Due to this continuous program of research and development, revisions may be made to this publication. It is recommended that customers contact their distributor for information on the latest revision.

January 2003

Copyright 2010 Komatsu
Printed in U.S.A.
Komatsu America Corp.

KDC 614 SERIES ENGINE SPECIFICATION MANUAL 1991 SERIES



This material is proprietary to Komatsu America International Company and is not to be reproduced, used, or disclosed except in accordance with written authorization from Komatsu America International Company.

It is our policy to improve our products whenever it is possible and practical to do so. We reserve the right to make changes or add improvements at any time without incurring any obligation to install such changes on products sold previously.

Due to this continuous program of research and development, periodic revisions may be made to this publication. It is recommended that customers contact their distributor for information on the latest revision.

Foreword

This manual contains complete assembly and rebuild specifications for the 614 Series engine and related components. This manual is intended as a quick reference guide for an experienced technician who is familiar with our product.

A series of specific service manuals (Troubleshooting and Repair, Shop, Alternative Repair, and so forth) are available and can be ordered through your distributor using the form at the end of this manual.

This specification in this manual are based on the most current information at the time of publications. KDC reserves the right to initiate any changes at any time without obligation.

It's a preview. You can download the full file by clicking the link below.

<https://shopservicemanual.com/>

Service Manuals from 2\$