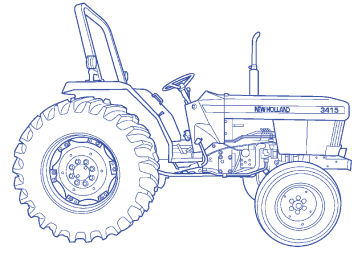


# NEW HOLLAND 3415



# REPAIR MANUAL



# **3415 REPAIR MANUAL CONTENTS**

- SECTION 1 - ENGINE SYSTEMS**
- SECTION 2 - FUEL SYSTEMS**
- SECTION 3 - ELECTRICAL SYSTEM**
- SECTION 4 - CLUTCH**
- SECTION 5 - TRANSMISSION SYSTEMS**
- SECTION 6 - POWER TAKE-OFF SYSTEMS**
- SECTION 7 - DIFFERENTIAL, REAR AXLE AND BRAKES**
- SECTION 8 - HYDRAULIC SYSTEM**
- SECTION 9 - STEERING SYSTEM**
- SECTION 10 - FRONT AXLE AND RELATED PARTS**
- SECTION 11 - WHEELS AND TIRES**
- SECTION 12 - SEPARATING THE TRACTOR**

**SECTION 1 - ENGINE SYSTEMS**

**Chapter 1 - Engine and Lubrication System**

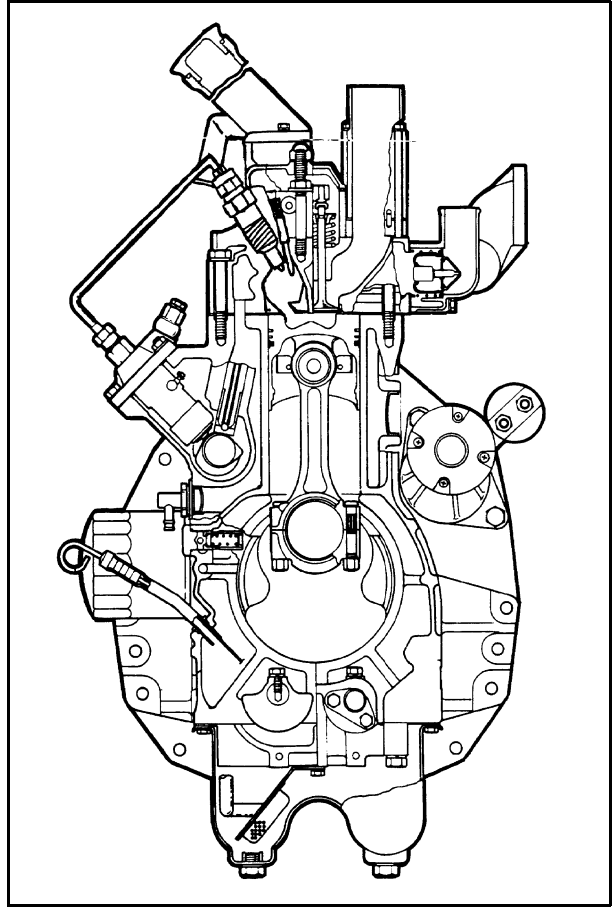
**CONTENTS**

<b>Section</b>	<b>Description</b>	<b>Page</b>
00 000	Engine and Lubrication System Description and Operation .....	1-2
00 000	Engine Overhaul .....	1-7
00 000	Engine Lubrication System Description .....	1-18
00 000	Engine Lubrication System Overhaul .....	1-21

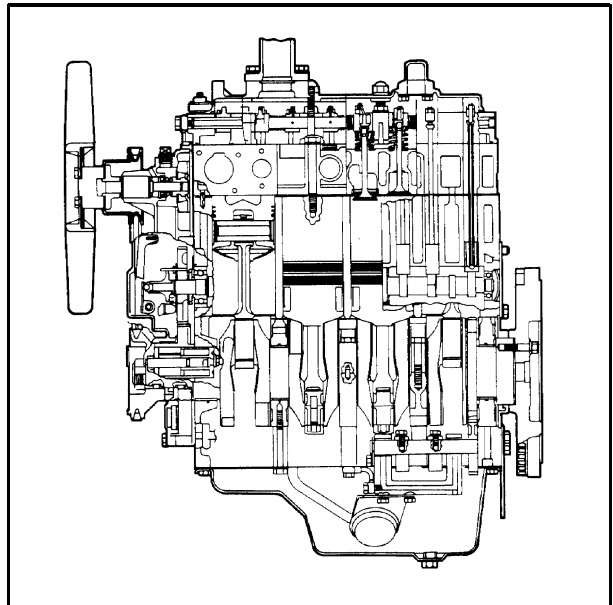
**ENGINE SYSTEM DESCRIPTION AND OPERATION**

This chapter describes engine overhaul and repairs procedures for the Model 3415 tractor engine.

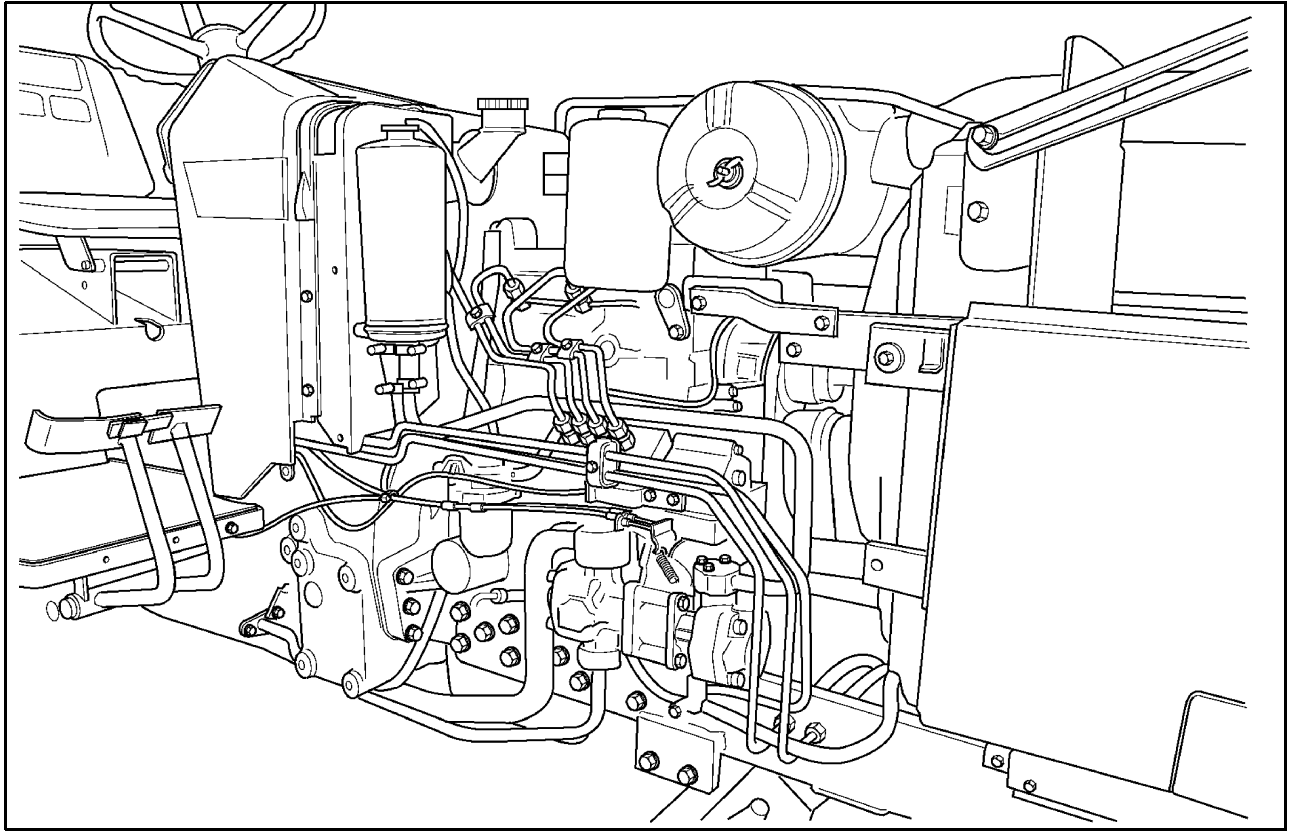
The engine is a four cylinder, four cycle, overhead valve, liquid cooled engine, Figures 1 and 2.



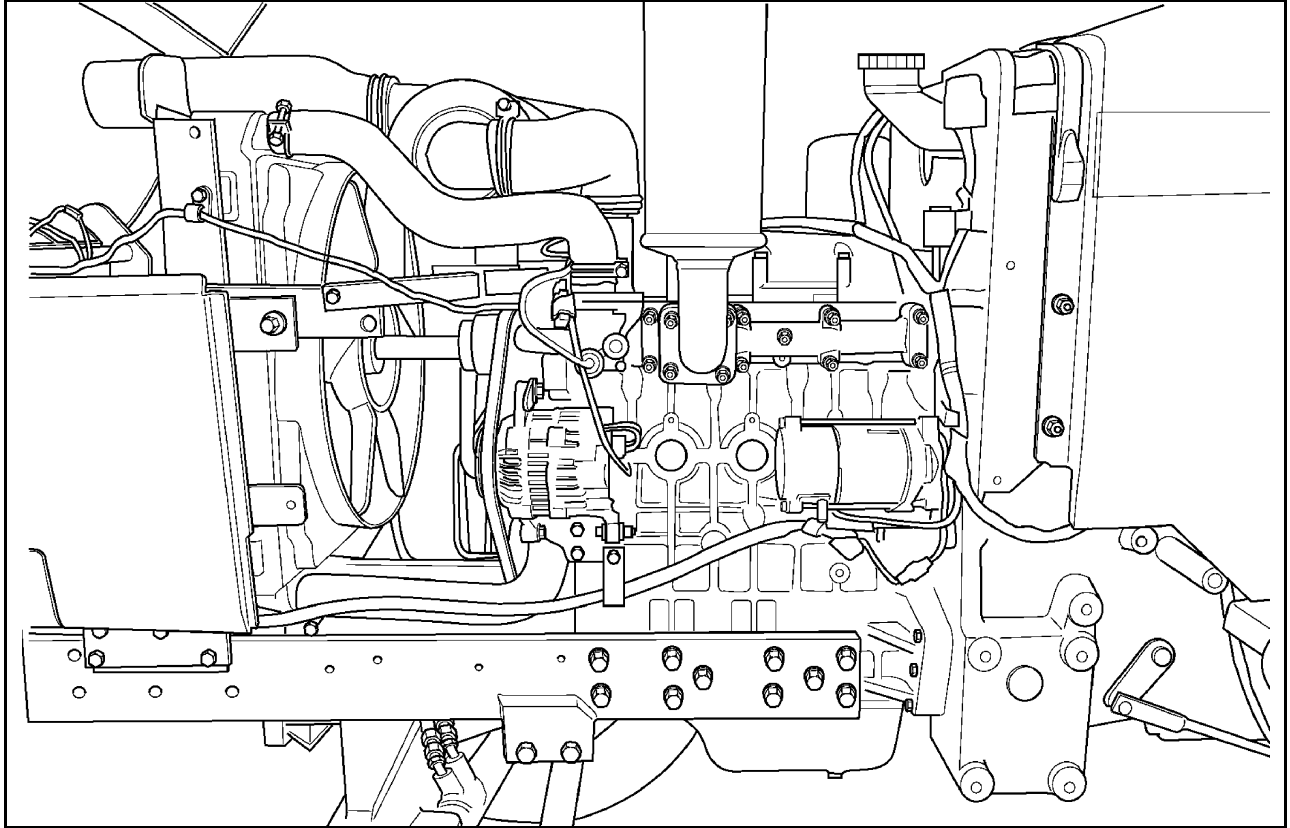
1



2



3



4

It's a preview. You can download the full file by clicking the link below.

<https://shopservicemanual.com/>

Service Manuals from 2\$