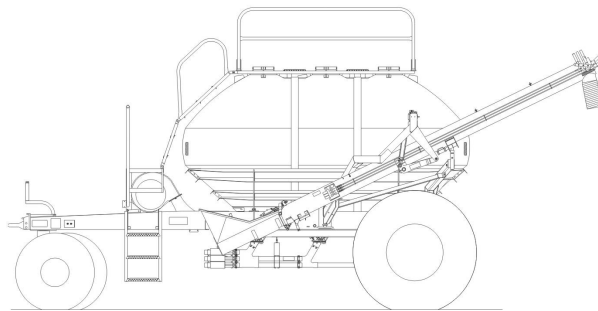
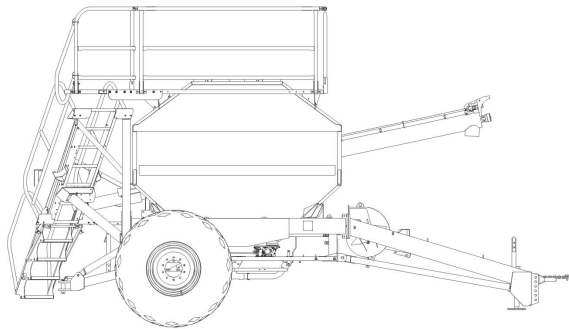




**NEW HOLLAND**

# **REPAIR MANUAL**



**SC180**  
**SC230**  
**SC260**  
**SC380**  
**SC430**

# Contents

---

## INTRODUCTION

## DISTRIBUTION SYSTEMS

A

PRIMARY HYDRAULIC POWER SYSTEM

A.10.A

ELECTRICAL POWER SYSTEM

A.30.A

LIGHTING SYSTEM

A.40.A

ELECTRONIC SYSTEM

A.50.A

FAULT CODES

A.50.A

## TRAVELLING

D

FRONT AXLE

D.10.A

REAR AXLE

D.12.A

WHEELS AND TRACKS Wheels

D.50.C

## WORKING ARM

H

HITCH Front hitch

H.10.B

HITCH Rear hitch

H.10.C

## FIELD PROCESSING

L

SEEDING Mechanical system

L.10.B

SEEDING Electronic system

L.10.C

SEEDING Fan system

L.10.D

SEEDING Air system

L.10.E

SEEDING Metering system

L.10.F

SEEDING Optional tank

L.10.G



**NEW HOLLAND**

# **INTRODUCTION**

# Contents

---

## INTRODUCTION

Foreword	3
Decals SC180, SC230	10
Decals SC260	19
Decals SC380, SC430	26
Hand signals	33
Safety rules	36
Torque	42
Basic instructions	44
Definition	46
Abbreviation	48
Power specification	50
General specification SC180, SC230, SC260	52
General specification SC380, SC430	59
Product identification	61
Product identification SC180, SC230	62
Product identification SC260	67
Product identification SC380, SC430	69
Product identification	71
Product identification SC180, SC230	72
Product identification SC260	73
Product identification SC380, SC430	74

## Foreword

### Technical Information

This manual has been produced by a new technical information system. This new system is designed to deliver technical information electronically on CDROM and in paper manuals. A coding system called ICE has been developed to link the technical information to other Product Support functions e.g., Warranty.

Technical information is written to support the maintenance and service of the functions or systems on a customer's machine. When a customer has a concern on his machine it is usually because a function or system on his machine is not working at all, is not working efficiently, or is not responding correctly to his commands. When you refer to the technical information in this manual to resolve that customer's concern, you will find all the information classified using the new ICE coding, according to the functions or systems on that machine. Once you have located the technical information for that function or system then you will find all the mechanical, electrical or hydraulic devices, components, assemblies and sub-assemblies for that function or system. You will also find all the types of information that have been written for that function or system, the technical data (specifications), the functional data (how it works), the diagnostic data (fault codes and troubleshooting) and the service data (remove, install adjust, etc.).

By integrating this new ICE coding into technical information, you will be able to search and retrieve just the right piece of technical information you need to resolve that customer's concern on his machine. This is made possible by attaching 3 categories to each piece of technical information during the authoring process.

The first category is the Location, the second category is the Information Type and the third category is the Product:

- LOCATION - is the component or function on the machine, that the piece of technical information is going to describe e.g. Fuel tank.
- INFORMATION TYPE - is the piece of technical information that has been written for a particular component or function on the machine e.g. Capacity would be a type of Technical Data that would describe the amount of fuel held by the Fuel tank.
- PRODUCT - is the model that the piece of technical information is written for.

Every piece of technical information will have those 3 categories attached to it. You will be able to use any combination of those categories to find the right piece of technical information you need to resolve that customer's concern on his machine.

That information could be:

- the description of how to remove the cylinder head
- a table of specifications for a hydraulic pump
- a fault code
- a troubleshooting table
- a special tool

It's a preview. You can download the full file by clicking the link below.

<https://shopservicemanual.com/>

Service Manuals from 2\$