

# SERVICE MANUAL

**W270C / W300C**

Wheel Loader

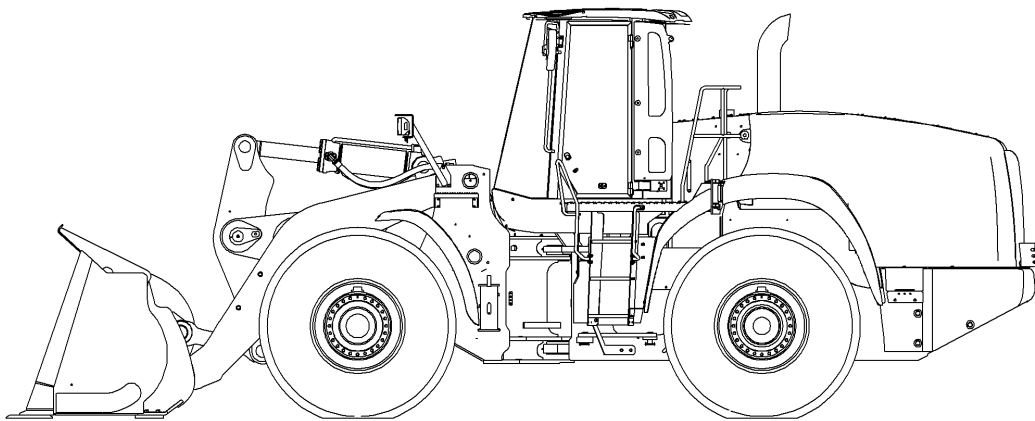
Tier 4

Print No. 84547255C





# SERVICE MANUAL



**W270C**  
**W300C**

# Contents

---

## INTRODUCTION

Engine.....	10
[10.001] Engine and crankcase .....	10.1
[10.202] Air cleaners and lines .....	10.2
[10.500] Selective Catalytic Reduction (SCR) exhaust treatment .....	10.3
[10.400] Engine cooling system .....	10.4
[10.310] Aftercooler.....	10.5
Transmission.....	21
[21.114] Mechanical transmission .....	21.1
Four-Wheel Drive (4WD) system .....	23
[23.314] Drive shaft.....	23.1
Front axle system .....	25
[25.100] Powered front axle .....	25.1
Rear axle system.....	27
[27.100] Powered rear axle.....	27.1
Brakes and controls .....	33
[33.202] Hydraulic service brakes .....	33.1
[33.110] Parking brake or parking lock .....	33.2
Hydraulic systems.....	35
[35.000] Hydraulic systems.....	35.1
[35.300] Reservoir, cooler, and filters.....	35.2
[35.106] Variable displacement pump .....	35.3
[35.525] Auxiliary hydraulic valves and lines .....	35.4
[35.701] Front loader arm hydraulic system .....	35.5
[35.723] Front loader bucket hydraulic system .....	35.6
Frames and ballasting .....	39

[39.100] Frame .....	39.1
<b>Steering</b> .....	<b>41</b>
[41.101] Steering control .....	41.1
[41.200] Hydraulic control components.....	41.2
[41.216] Cylinders .....	41.3
[41.910] Auxiliary steering .....	41.4
<b>Wheels</b> .....	<b>44</b>
[44.511] Front wheels.....	44.1
<b>Cab climate control</b> .....	<b>50</b>
[50.200] Air conditioning.....	50.1
<b>Electrical systems</b> .....	<b>55</b>
[55.000] Electrical system .....	55.1
[55.100] Harnesses and connectors.....	55.2
[55.015] Engine control system.....	55.3
[55.201] Engine starting system .....	55.4
[55.301] Alternator.....	55.5
[55.302] Battery.....	55.6
[55.202] Cold start aid .....	55.7
[55.011] Fuel tank system .....	55.8
[55.988] Selective Catalytic Reduction (SCR) electrical system .....	55.9
[55.012] Engine cooling system .....	55.10
[55.024] Transmission control system.....	55.11
[55.519] Cab brake controls .....	55.12
[55.030] Service brake electrical system .....	55.13
[55.031] Parking brake electrical system .....	55.14
[55.512] Cab controls.....	55.15
[55.035] Remote control valve electric control .....	55.16
[55.036] Hydraulic system control .....	55.17

[55.051] Cab Heating, Ventilation, and Air-Conditioning (HVAC) controls.....	55.18
[55.050] Heating, Ventilation, and Air-Conditioning (HVAC) control system.....	55.19
[55.047] Steering control system .....	55.20
[55.524] Cab controls (Lift arm, Boom, Dipper, Bucket).....	55.21
[55.415] Loader arm and bucket control system .....	55.22
[55.530] Camera.....	55.23
[55.518] Wiper and washer system.....	55.24
[55.404] External lighting .....	55.25
[55.405] External lighting switches and relays .....	55.26
[55.514] Cab lighting .....	55.27
[55.510] Cab or platform harnesses and connectors.....	55.28
[55.408] Warning indicators, alarms, and instruments .....	55.29
[55.DTC] FAULT CODES.....	55.30
<b>Booms, dippers, and buckets .....</b>	<b>84</b>
[84.100] Bucket.....	84.1
<b>Platform, cab, bodywork, and decals .....</b>	<b>90</b>
[90.150] Cab.....	90.1
[90.151] Cab interior.....	90.2
[90.114] Operator protections .....	90.3

It's a preview. You can download the full file by clicking the link below.

<https://shopservicemanual.com/>

Service Manuals from 2\$