

SHOP

MANUAL

KOMATSU

PC300-3K

PC300LC-3K

PC300NLC-3K

MACHINE MODEL SERIAL No.

PC300-3K	K10001 and up
PC300LC-3K	K10001 and up
PC300NLC-3K	K10001 and up

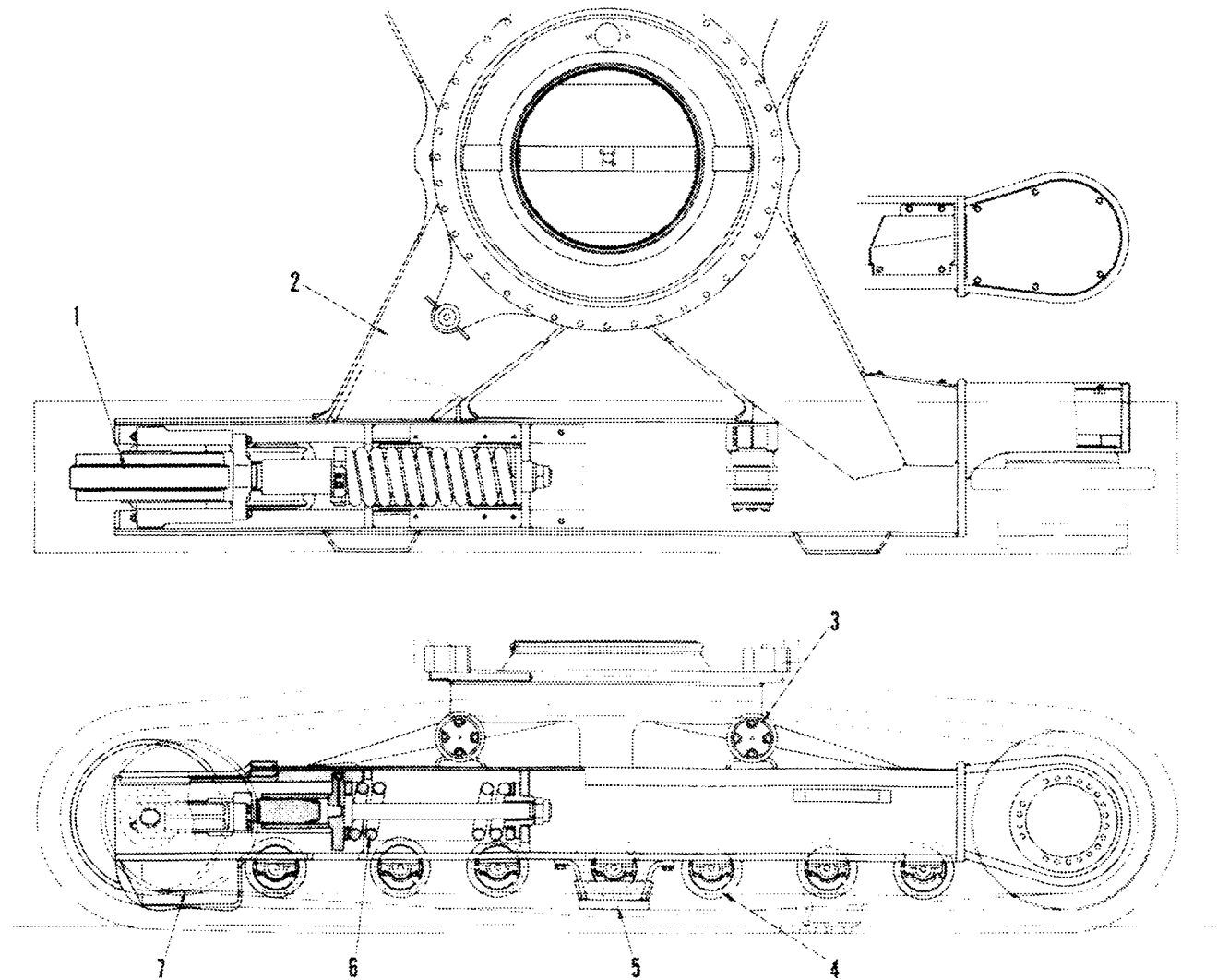
This shop manual contains only the special items for Serial No. K10001 and up. For details of other systems, see the shop manual for the PC300, 300LC-3 and PC360LC-3.

 **KOMATSU**

CONTENTS

STRUCTURE AND FUNCTION	
Track frame and recoil spring	2
Idler	3
Track roller	4
Carrier roller	4
Track shoe	5
DISASSEMBLY AND ASSEMBLY	
Recoil spring	6
MAINTENANCE STANDARD	
Track frame and recoil spring	8
Idler	9
Track roller	10
Carrier roller	11
Track shoe	12

TRACK FRAME AND RECOIL SPRING



02073K

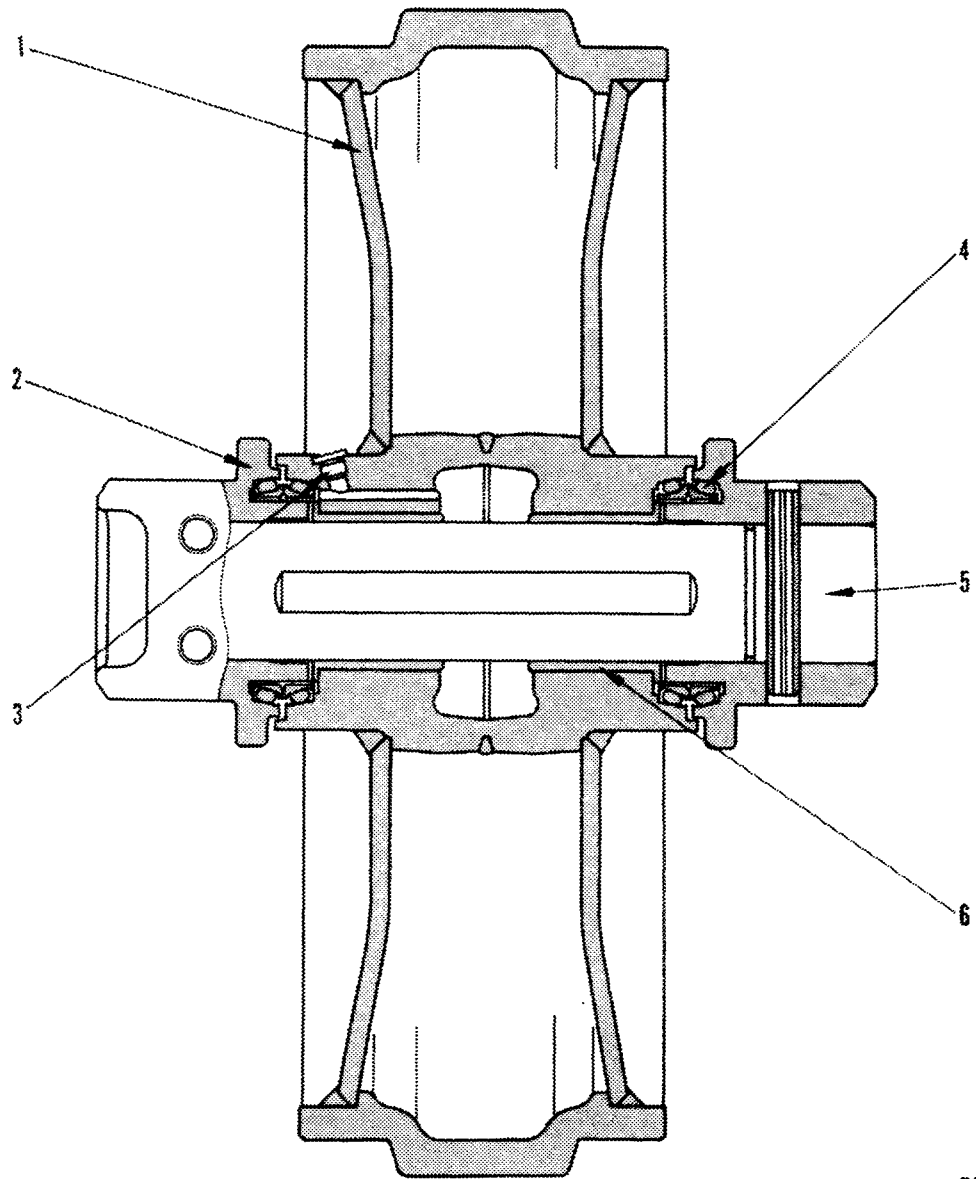
207FU2037

Note: This figure is for PC300-3K

1. Idler
2. Track frame
3. Carrier roller
4. Track roller
5. Center guard
6. Recoil spring
7. Front guard

- ★ Number of track roller is follows;
 - PC300-3: 7 pieces (each)
 - PC300LC: 8 pieces (each)
 - PC300NLC: 8 pieces (each)

IDLER



02073K

207FU2038

- 1. Idler
- 2. Support
- 3. Lubricating plug
- 4. Floating seal
- 5. Idler shaft
- 6. Bushing

It's a preview. You can download the full file by clicking the link below.

<https://shopservicemanual.com/>

Service Manuals from 2\$