

# SHOP

# MANUAL

# KOMATSU

# PW200-7H

# PW220-7H

**MACHINE MODEL**

**PW200-7H**

**PW220-7H**

**SERIAL NUMBER**

**H50051 AND UP**

**H50051 AND UP**

- This shop manual may contain attachments and optional equipment that are not available in your area. Please consult your local Komatsu distributor for those items you may require.  
Materials and specifications are subject to change without notice.
- PW200/PW220-7H mount the SAA6D102E-2 engine.  
For details of the engine, see the 102 Series Engine Shop Manual.

# CONTENTS

	No. of page
<b>01 GENERAL</b> .....	01-1
<b>10 STRUCTURE, FUNCTION AND MAINTENANCE STANDARD</b> .....	10-1
<b>20 TESTING AND ADJUSTING</b> .....	20-1
<b>30 DISASSEMBLY AND ASSEMBLY</b> .....	30-1
<b>90 OTHERS</b> .....	90-1

---

# 01 GENERAL

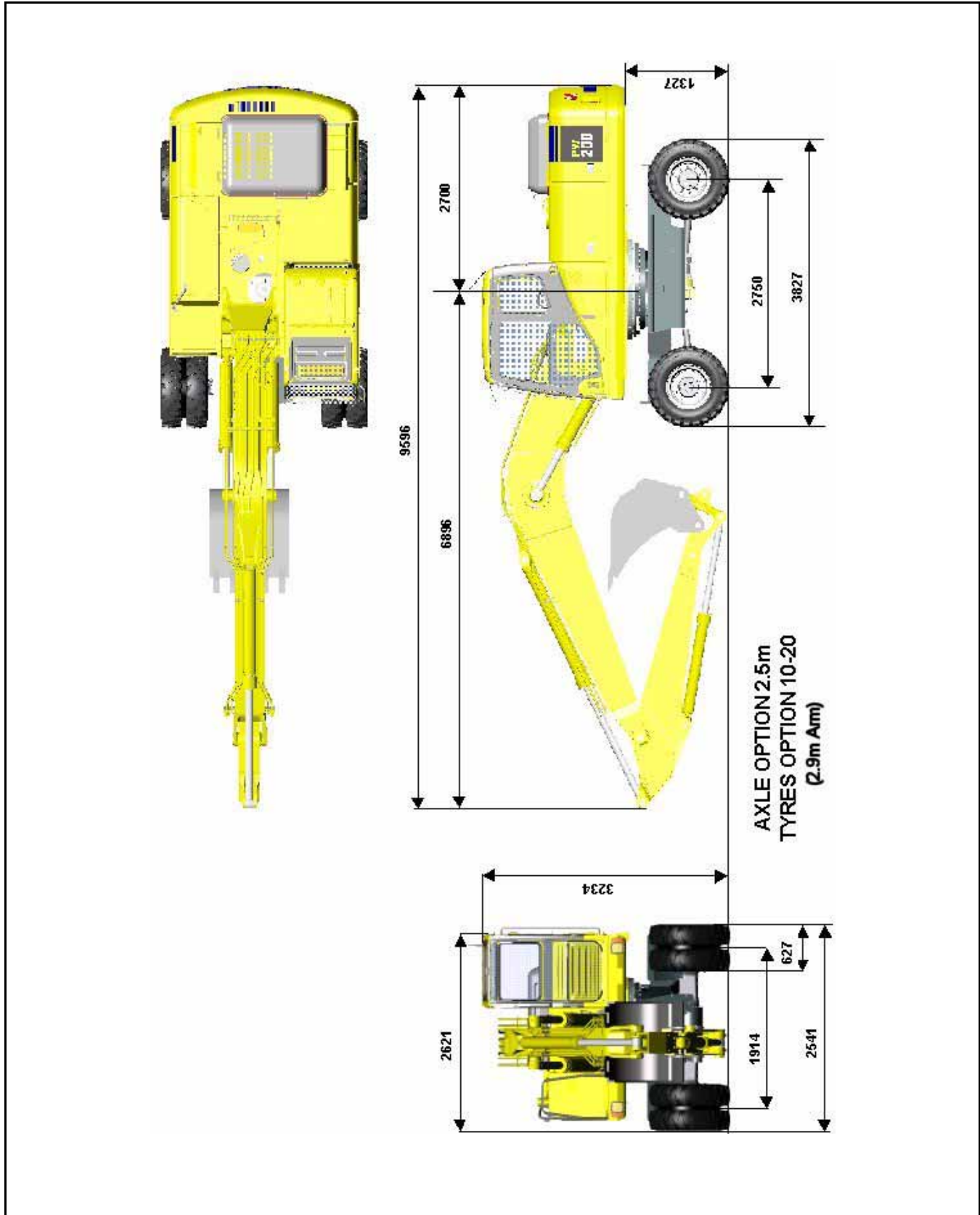
---

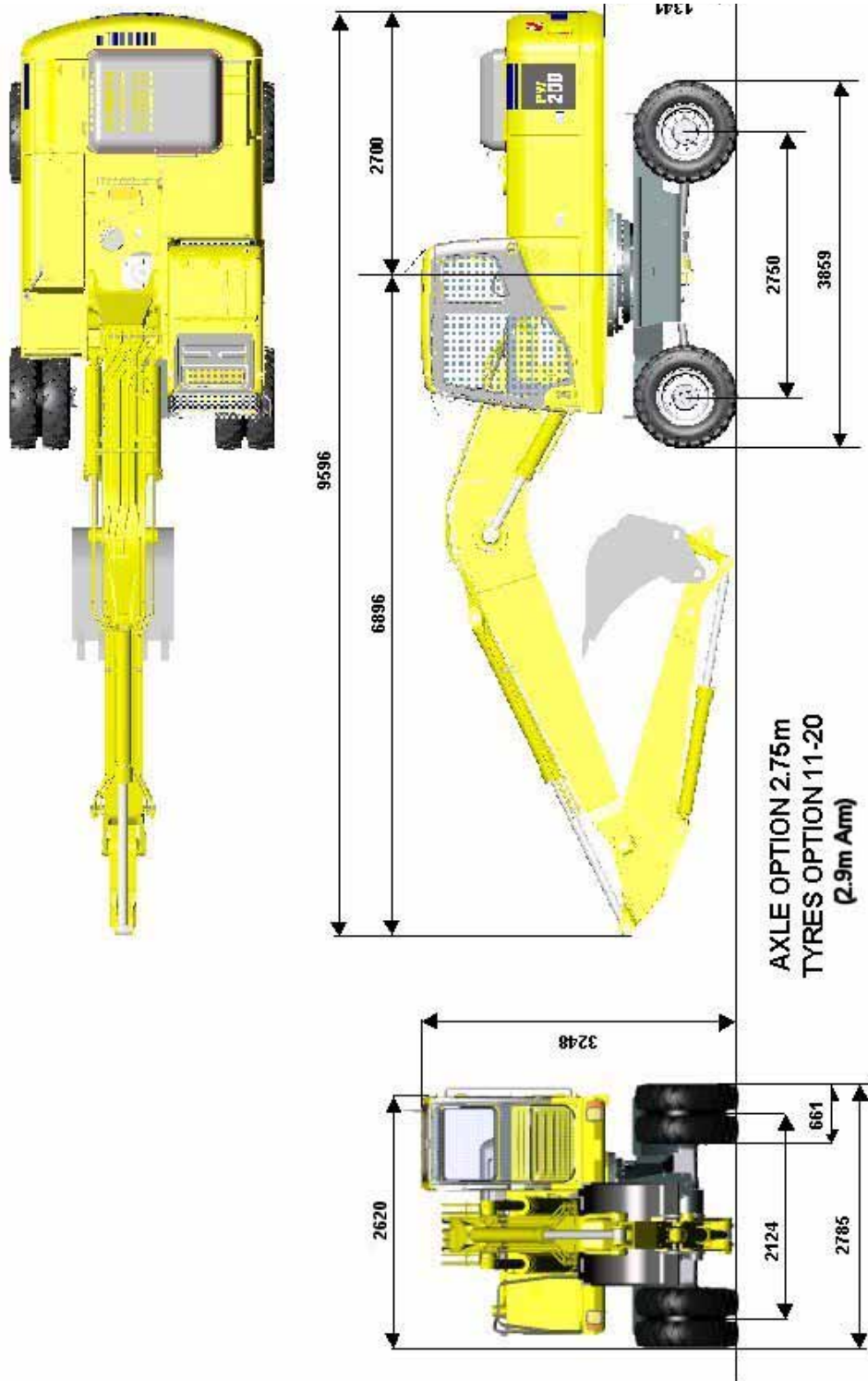
Specification Dimension Drawings	
1 Piece Boom . . . . .	01-2
2 Piece Boom . . . . .	01-4
Working range	
1 Piece Boom. . . . .	01-6
2 Piece Boom. . . . .	01-7
Specifications. . . . .	01-8
Weight Table . . . . .	01-10
Fuel, Coolant, And Lubricants . . . . .	01-13

# SPECIFICATION DIMENSION DRAWINGS

## DIMENSIONS

### 1 PIECE BOOM





It's a preview. You can download the full file by clicking the link below.

<https://shopservicemanual.com/>

Service Manuals from 2\$