

Shop Manual

H185S

HYDRAULIC SHOVEL

SERIAL NUMBER H185 6081


This material is proprietary to Komatsu America Corp. and is not to be reproduced, used, or disclosed except in accordance with written authorization from Komatsu America Corp.

It is our policy to improve our products whenever it is possible and practical to do so. We reserve the right to make changes or improvements at any time without incurring any obligation to install such changes on products sold previously.

Due to this continuous program of research and development, revisions may be made to this publication. It is recommended that customers contact their distributor for information on the latest revision.

Copyright 2005 Komatsu
Printed in U.S.A.
Komatsu America Corp.

February 2005

Series 06078 
- 06095

With this service manual MANNESMANN DEMAG BAUMASCHINENM provides you with the description of the construction and the function of the major systems of the hydraulic excavator H 185.

The service manual consists of 2 sections:

Section 1 General View

yellow pages

Section 2 Functional Description,
Inspections and Adjustments.

green pages

We describe for you all functions and how to carry out the inspections and adjustments.

continued

Cont'd.

How do you find "your" desired information?

In the table of contents all the functions and components are shown in sequence of description.

The number given in the right column refers to the corresponding picture.

If after reading this service manual you can give us suggestions and comments for improvements - please do not hesitate to contact us.

MANNESMANN DEMAG BAUMASCHINEN
Service Training - Abtlg.8015.30
Postfach 180361
4000 Düsseldorf 13
Tel.:0211 / 7109 - 206
Fax.:0211 / 743307

The editorial staff will be pleased about your cooperation.

-FROM THE PRACTICE - FOR THE PRACTICE-

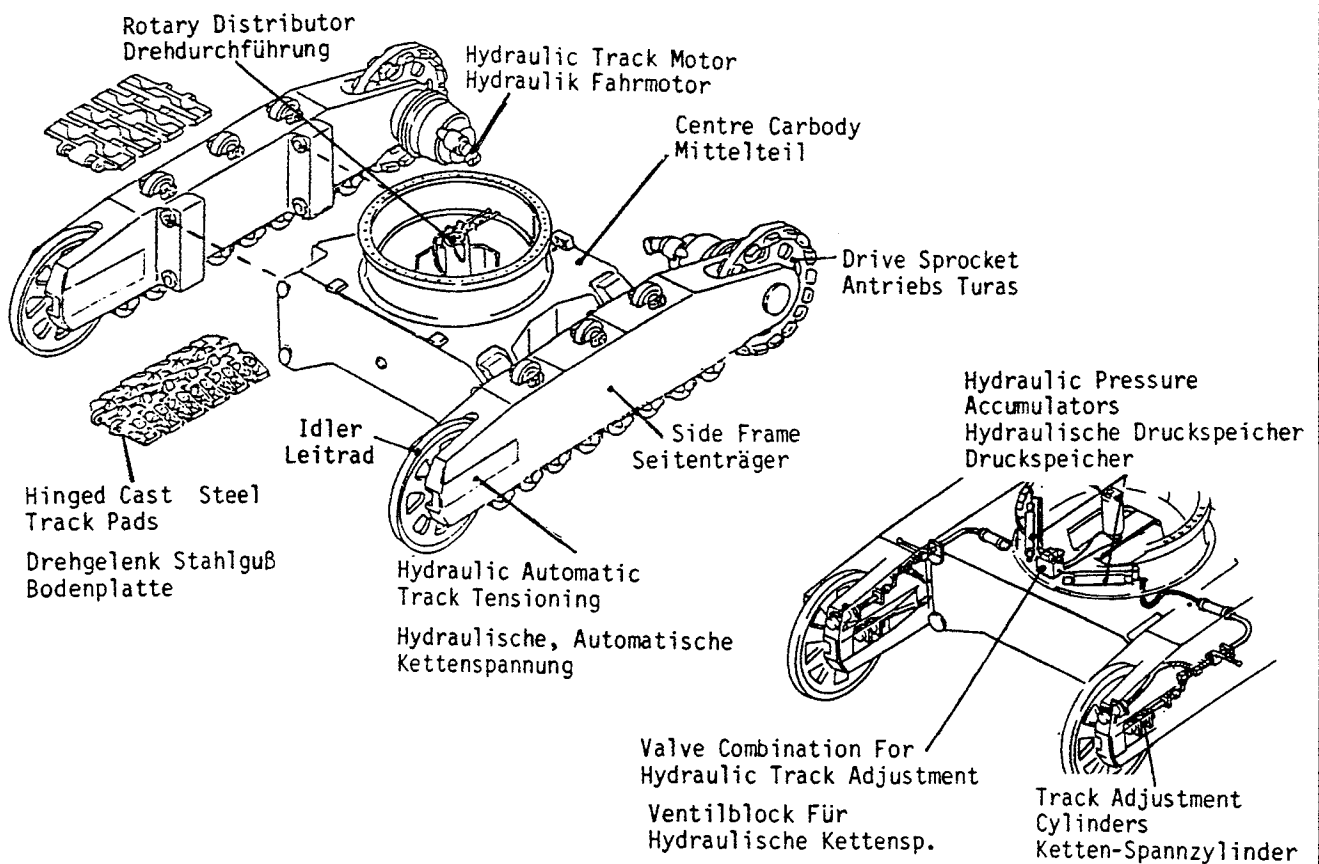
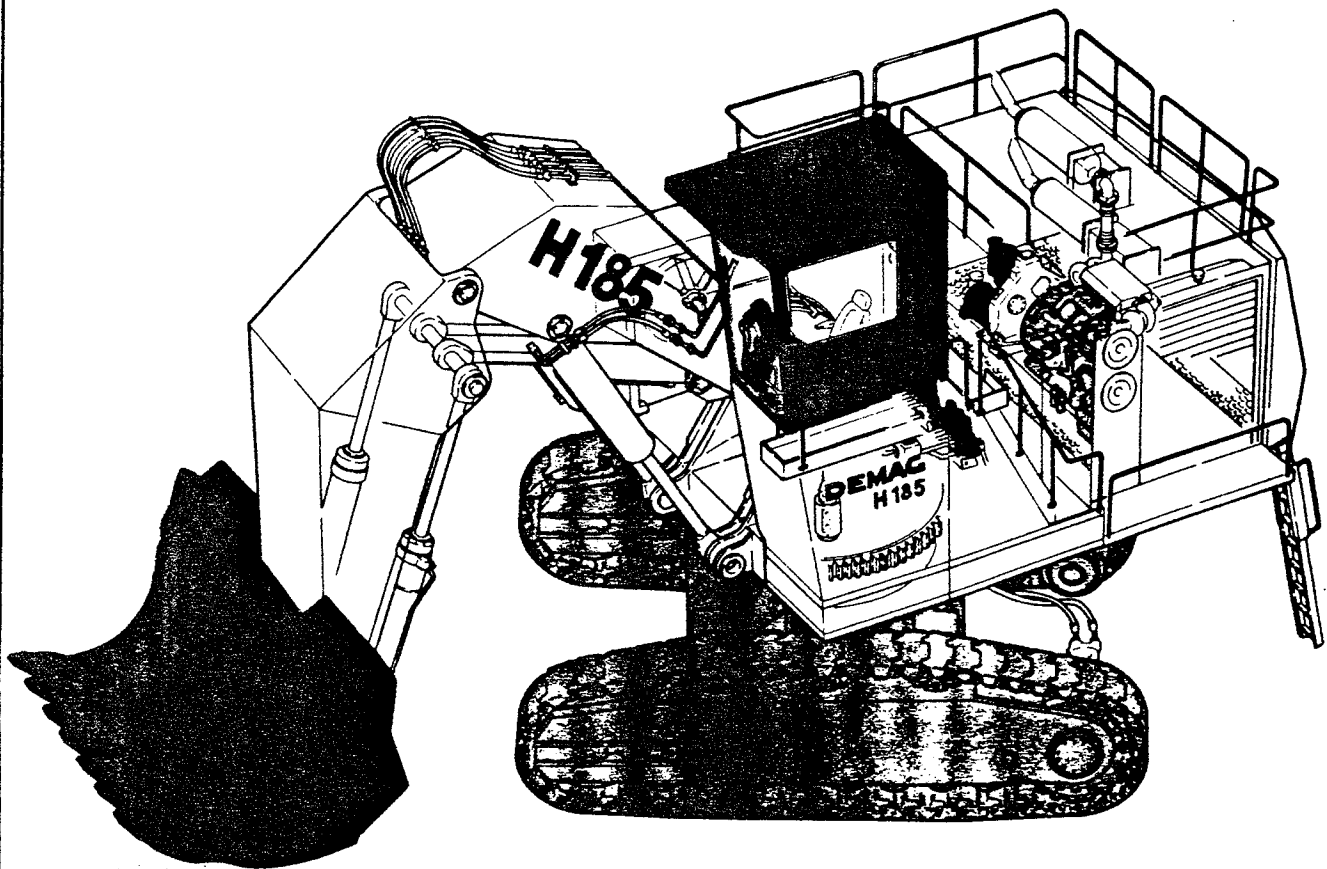
Note:

This service manual corresponds to the state of development of the machine at the time the manual was produced.

Variations based on special customers request and special equipment are not included in this manual.

Part 1

1. TECHNICAL SUMMARY
2. ASSEMBLING THE EXCAVATOR



It's a preview. You can download the full file by clicking the link below.

<https://shopservicemanual.com/>

Service Manuals from 2\$