

SHOP MANUAL

PC200, 200LC-6 PC220, 220LC-6 PC220SE-6

HYDRAULIC EXCAVATOR

	PC200-6 STD	DB60001	
	PC200LC-6 STD	DB70001	
SERIAL NUMBERS	PC220-6 STD	DB80001	and up
	PC220LC-6 STD	DB90001	
	PC220SE-6 STD	DBA0001	

KOMATSU

01 GENERAL

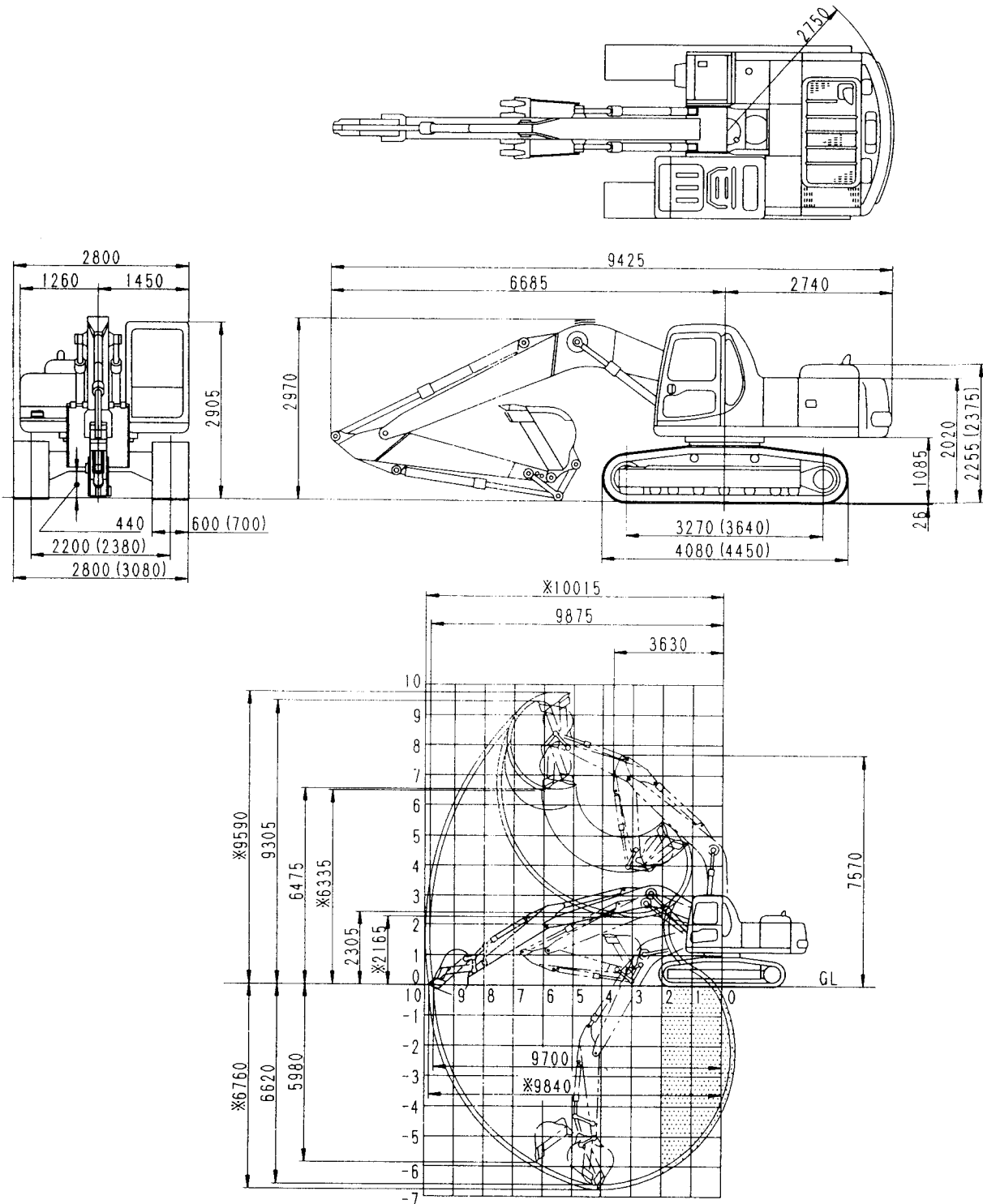
Specification dimension drawings	01- 2
Specifications	01- 5
Weight table	01-12
Fuel, coolant and lubricants	01-16

020Y06

SPECIFICATION DIMENSION DRAWINGS

PC200, 200LC-6

Unit: mm



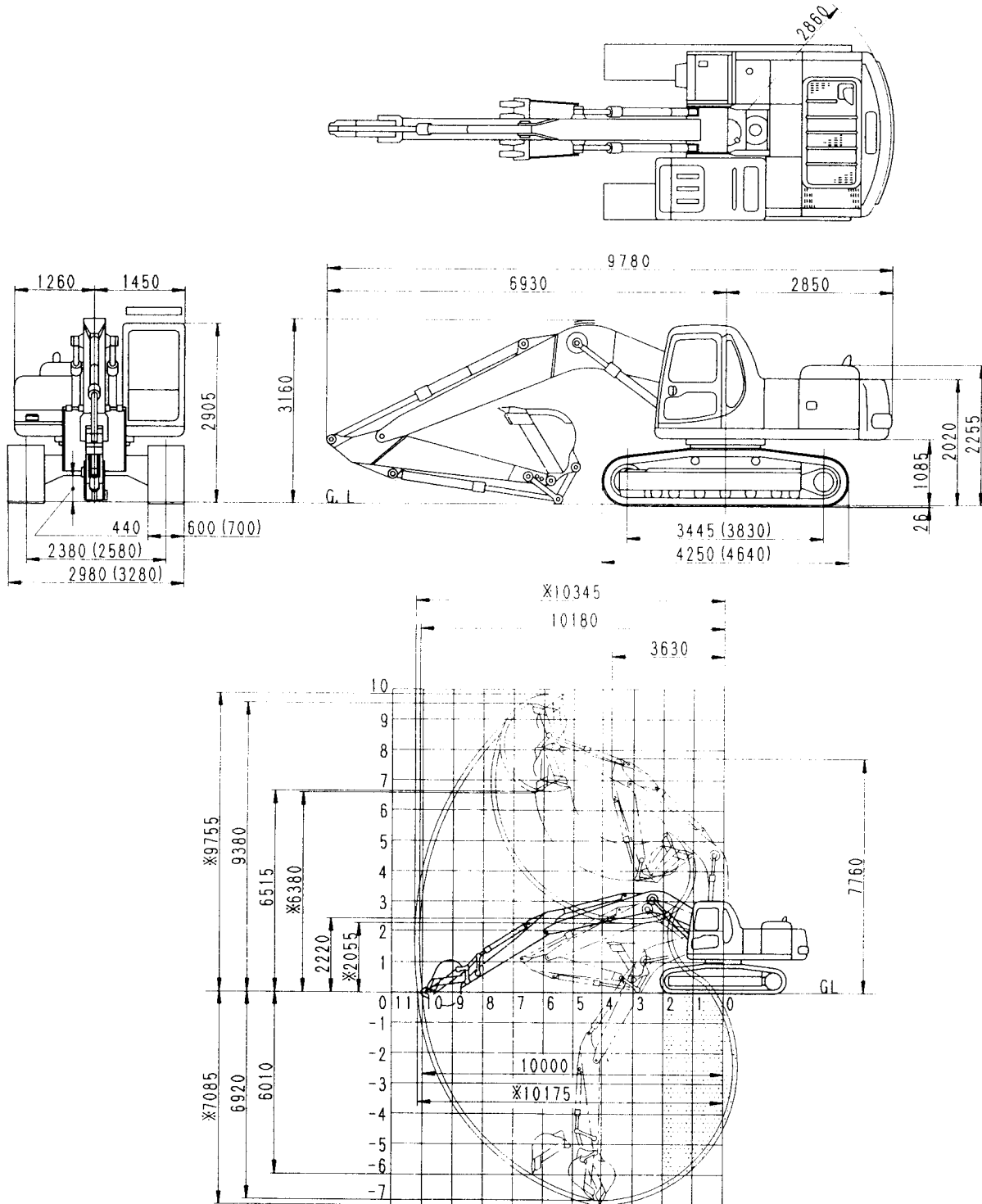
020Y06

SBP02553

- ★ The figures in () indicate the PC200LC.
- ★ The values marked \times are for shovel operations.

PC220, 220LC-6

Unit: mm



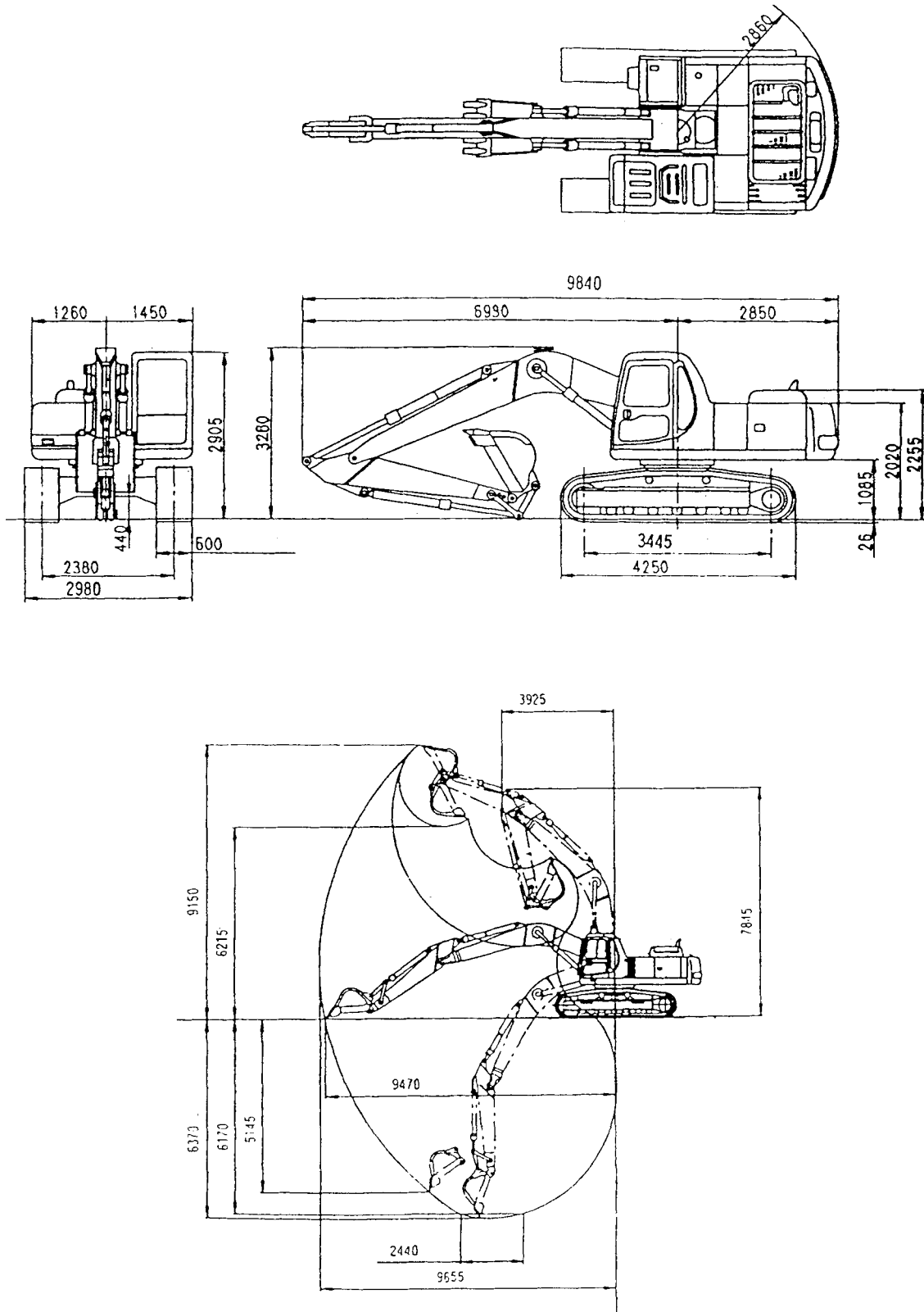
020Y06

SBP02555

- ★ The figures in () indicate the PC220LC.
- ★ The values marked ※ are for shovel operations.

PC220SE-6

Unit : mm



It's a preview. You can download the full file by clicking the link below.

<https://shopservicemanual.com/>

Service Manuals from 2\$