

Shop Manual

114 SERIES

DIESEL ENGINE

- This shop manual may contain attachments and optional equipment that are not available in your area. Please consult your local Komatsu distributor for those items you may require.

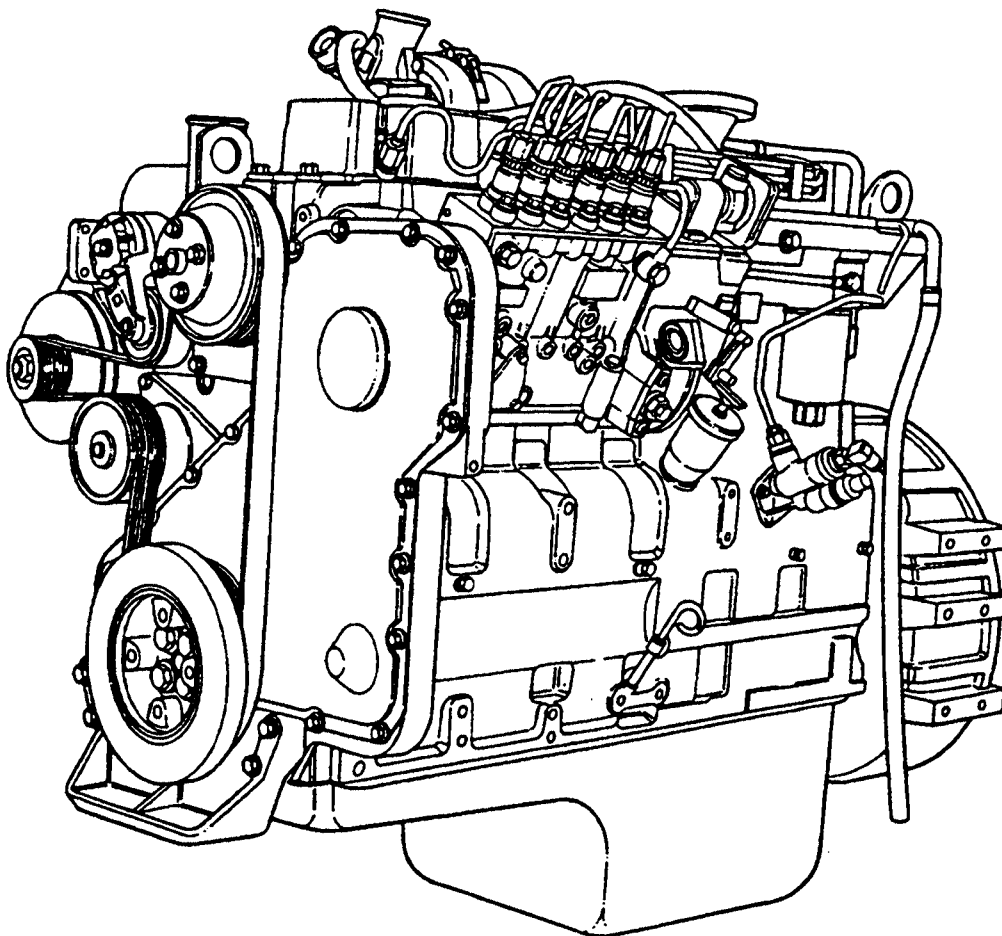
Materials and specifications are subject to change without notice.

KOMATSU

Shop Manual

S6D114E-1
SA6D114E-1
SAA6D114E-1

Series Engine



6D114E-1 Series Engine

PRODUCT PUBLICATIONS INFORMATION

VARIOUS PRODUCT PARTS & SERVICE PUBLICATIONS ARE AVAILABLE TO ALL KOMATSU CONSTRUCTION EQUIPMENT OWNERS, INCLUDING OPERATION AND MAINTENANCE MANUALS, PARTS BOOKS AND SERVICE MANUALS.

SPECIAL PUBLICATIONS SUCH AS SERVICE TOOL, AIR CONDITIONING, AND TURBOCHARGER SERVICE MANUALS ARE ALSO AVAILABLE AS WELL AS SELECTED OPERATION & SERVICE MANUALS IN FOREIGN LANGUAGES.

THE PUBLICATION LISTED BELOW ARE AVAILABLE FOR THE 6D114E-1 SERIES ENGINE.

DESCRIPTION	FORM NUMBER
SHOP MANUAL:	SEBM020400

PARTS AND SERVICE PUBLICATIONS CAN ONLY BE ACQUIRED BY AUTHORIZED KOMATSU DISTRIBUTORS, USING THE KOMATSU PARTS INVENTORY PROCESSING SYSTEM (PIPS).

IF THE PIPS SYSTEM IS NOT AVAILABLE AT THE DISTRIBUTOR LOCATION, THEN THE FOLLOWING REQUISITION FOR TECHNICAL SERVICE PUBLICATIONS AND SERVICE FORMS CAN BE USED. FORM KDC91D IS SHOWN ON THE REVERSE SIDE OF THIS PAGE.

Foreword

This manual contains complete rebuild specifications and information for the 6D114E-1 Series engines.

The repair procedures in this manual are based on the engine being installed on an approved engine stand. Some rebuild procedures require the use of special service tools. Make sure the correct tools are used as described in the procedures.

When a specific brand name, number, or special tool is referenced in this manual, an equivalent product can be used in place of the recommended item.

A series of specific service manuals (Shop, Specification, Alternative Repair, and so forth) are available and can be ordered through your distributor using the form in the front of this book.

The specifications and rebuild information in this manual is based on the information in effect at the time of printing. Komatsu America International Company reserves the right to make any changes at any time without obligation. If differences are found between your engine and the information in this manual, contact your Komatsu Distributor.

The latest technology and the highest quality components are used to manufacture Komatsu engines. When replacement parts are needed, we recommend using only genuine Komatsu exchange parts.

It's a preview. You can download the full file by clicking the link below.

<https://shopservicemanual.com/>

Service Manuals from 2\$