

SHOP  
MANUAL

**KOMATSU**

**102 SERIES**

**DIESEL ENGINE**

**APPLICABLE MACHINE**

★ Serial No. shows for engine serial No.

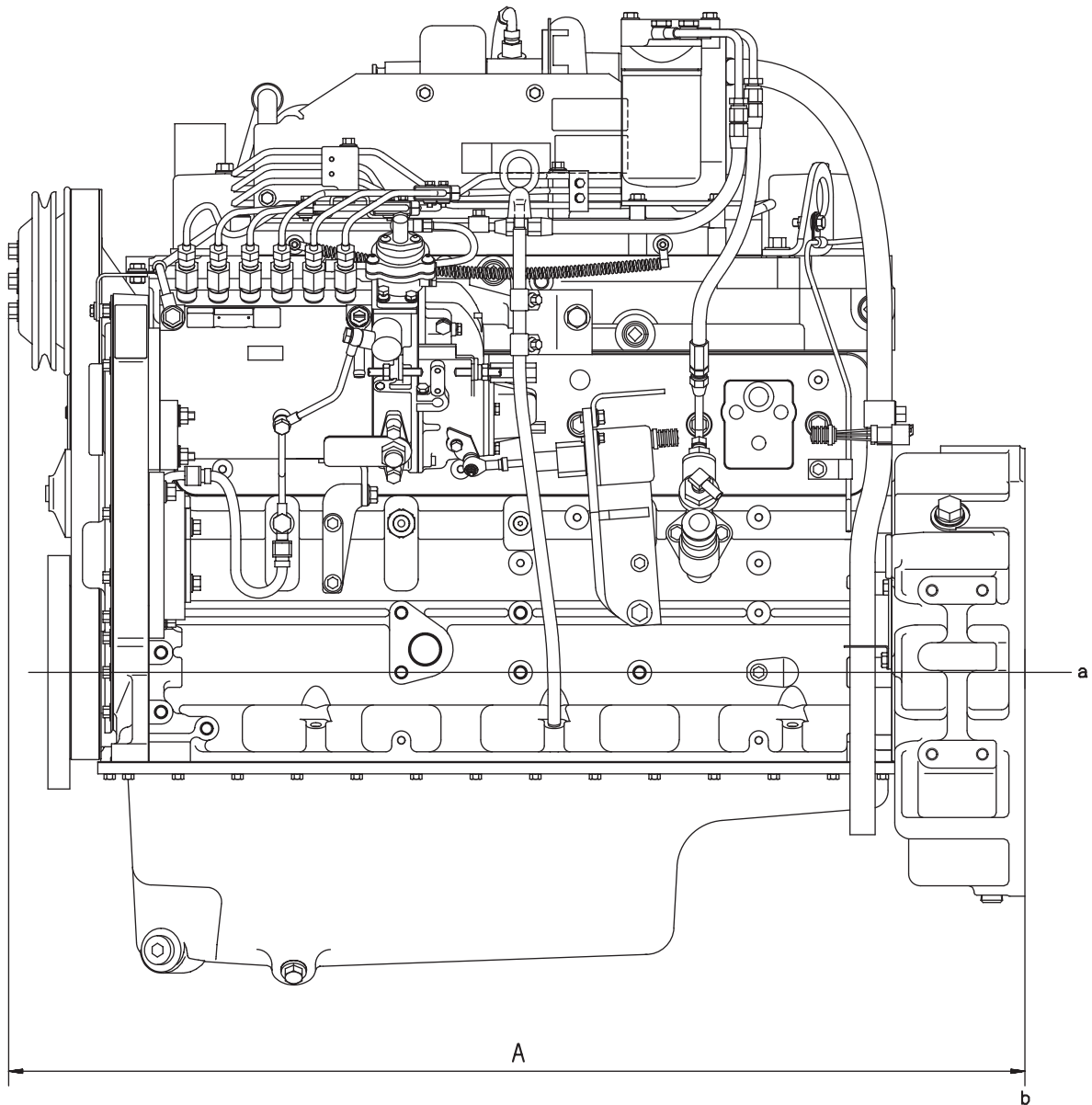
Engine	Serial No.	Applicable machine	
SA6D102E-2		D41E, P-6 (Serial No.: B40001 and up)	Bulldozer

# GENERAL ASSEMBLY DRAWING

SA6D102E-2 (D41E, P-6 Serial No.: B40001 and up)

LEFT-HAND VIEW

- ★ The diagram shows the equipment for the D41E, P-6.
- ★ The shape may differ according to the machine model.

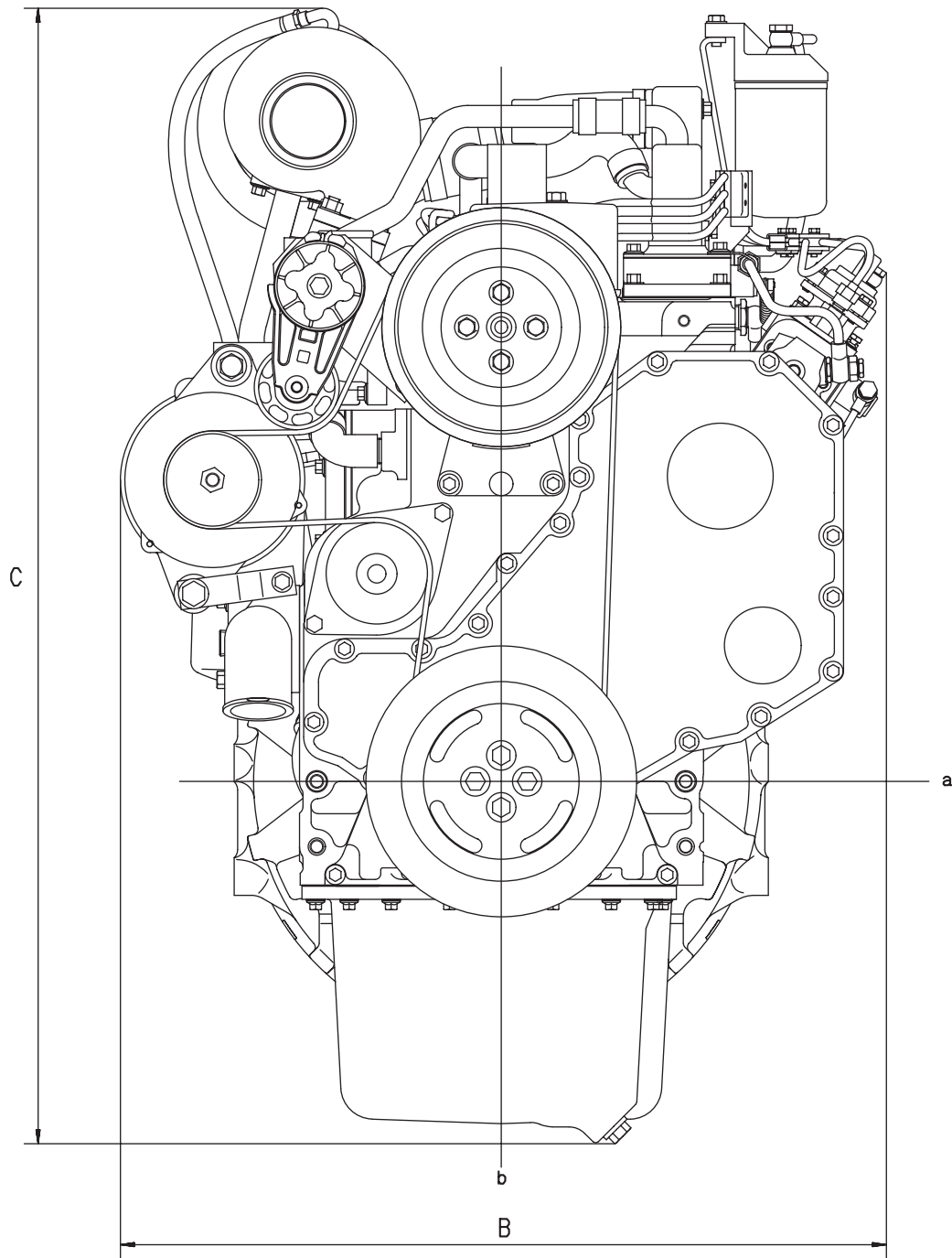


SJE02151

- a. Crankshaft center
- b. Flywheel housing rear surface

**SA6D102E-2 (D41E, P-6 Serial No.: B40001 and up)****FRONT VIEW**

- ★ The diagram shows the equipment for the D41E, P-6.
- ★ The shape may differ according to the machine model.



SJE02152

- a. Crankshaft center
- b. Cylinder liner center

**DIMENSION TABLE**

★ These dimensions are reference values for use when installing to a test bench.

Engine	Machine model	Dimensions for each part (mm)						
		A	B	C	D	E	F	G
SA6D102E-2	D41E, P-6 (Serial No.: B40001 and up)	1,014	665	985	—	—	—	—

It's a preview. You can download the full file by clicking the link below.

<https://shopservicemanual.com/>

Service Manuals from 2\$