

# SHOP MANUAL

## **KOMATSU**

# **114 SERIES DIESEL ENGINE**

**APPLICABLE MACHINE**

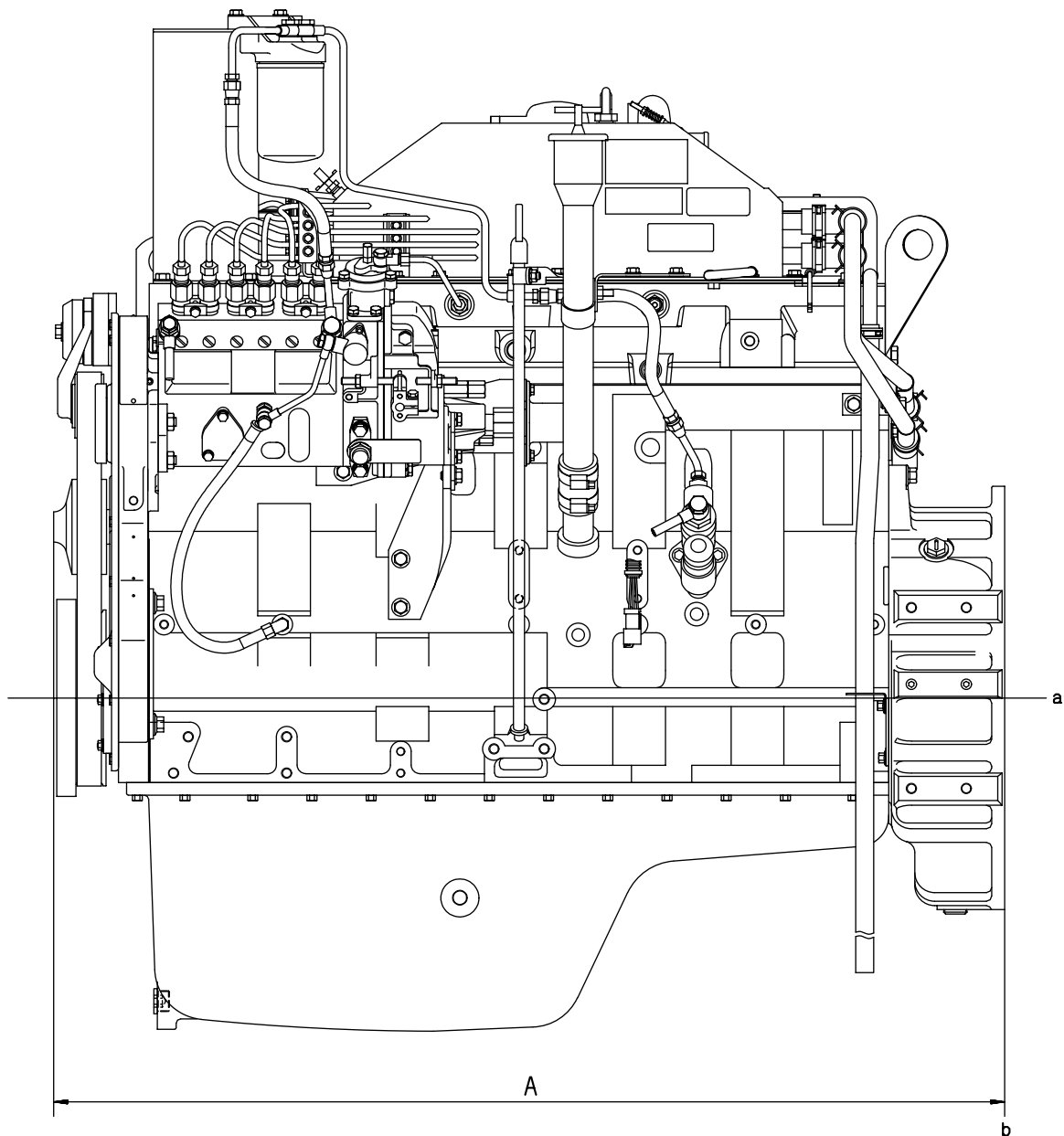
Engine	Engine serial No.	Applicable machine	
SA6D114E-2		D61EX, PX-12 (Serial No.: B3001 and up) D61EX, PX-15 (Serial No.: B40001 and up)	Bulldozer

**OVERALL DRAWING**

SA6D114E-2 (D61EX, PX-12 Serial No.: B3001 and up)  
(D61EX, PX-15 Serial No.: B40001 and up)

**LEFT SIDE DRAWING**

The diagram shows the equipment for the D61-12 and D61-15.  
The shape may differ according to the machine model.



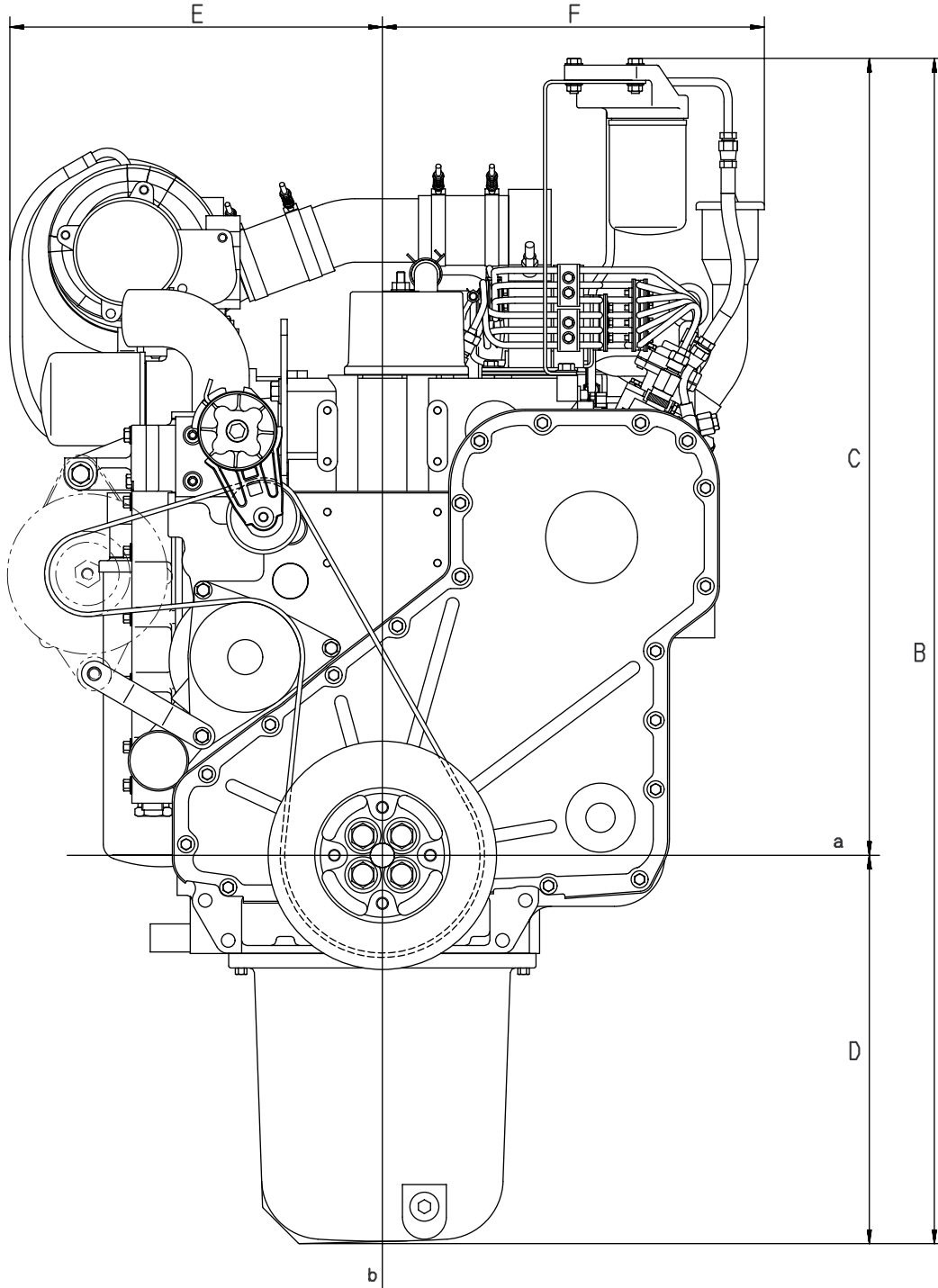
SJE02153

- a. Crankshaft center
- b. Flywheel housing rear surface

SA6D114E-2 (D61EX, PX-12 Serial No.: B3001 and up)  
(D61EX, PX-15 Serial No.: B40001 and up)

FRONT DRAWING

The diagram shows the equipment for the D61-12 and D61-15.  
The shape may differ according to the machine model.



SJE02154

- a. Crankshaft center
- b. Cylinder liner center

**DIMENSION TABLE**

These dimensions are reference values for use when installing to a test bench.

Engine	Machine model	Dimensions for each part (mm)						
		A	B	C	D	E	F	G
SA6D114E-2	D61EX, PX-12 (Serial No.: B3001 and up) D61EX, PX-15 (Serial No.: B40001 and up)	1,097	1,180	796	384	372	382	—

It's a preview. You can download the full file by clicking the link below.

<https://shopservicemanual.com/>

Service Manuals from 2\$