

# SHOP MANUAL

## **KOMATSU**

### *avance* **LOADER**

# **WA300L-3**

MACHINE MODEL

SERIAL NUMBER

**WA300L-3**

**53001 and up**

- This shop manual may contain attachments and optional equipment that are not available in your area. Please consult your local Komatsu distributor for those items you may require. Materials and specifications are subject to change without notice.
- WA300L-3 mount the SA6D102E engine.  
For details of the engine, see the 102 Series Engine Shop Manual.

# CONTENTS

	No. of page
<b>01 GENERAL .....</b>	<b>01-1</b>
<b>10 STRUCTURE AND FUNCTION .....</b>	<b>10-1</b>
<b>20 TESTING AND ADJUSTING .....</b>	<b>20-1</b>
<b>30 DISASSEMBLY AND ASSEMBLY .....</b>	<b>30-1</b>
<b>40 MAINTENANCE STANDARD .....</b>	<b>40-1</b>
<b>90 OTHERS .....</b>	<b>90-1</b>

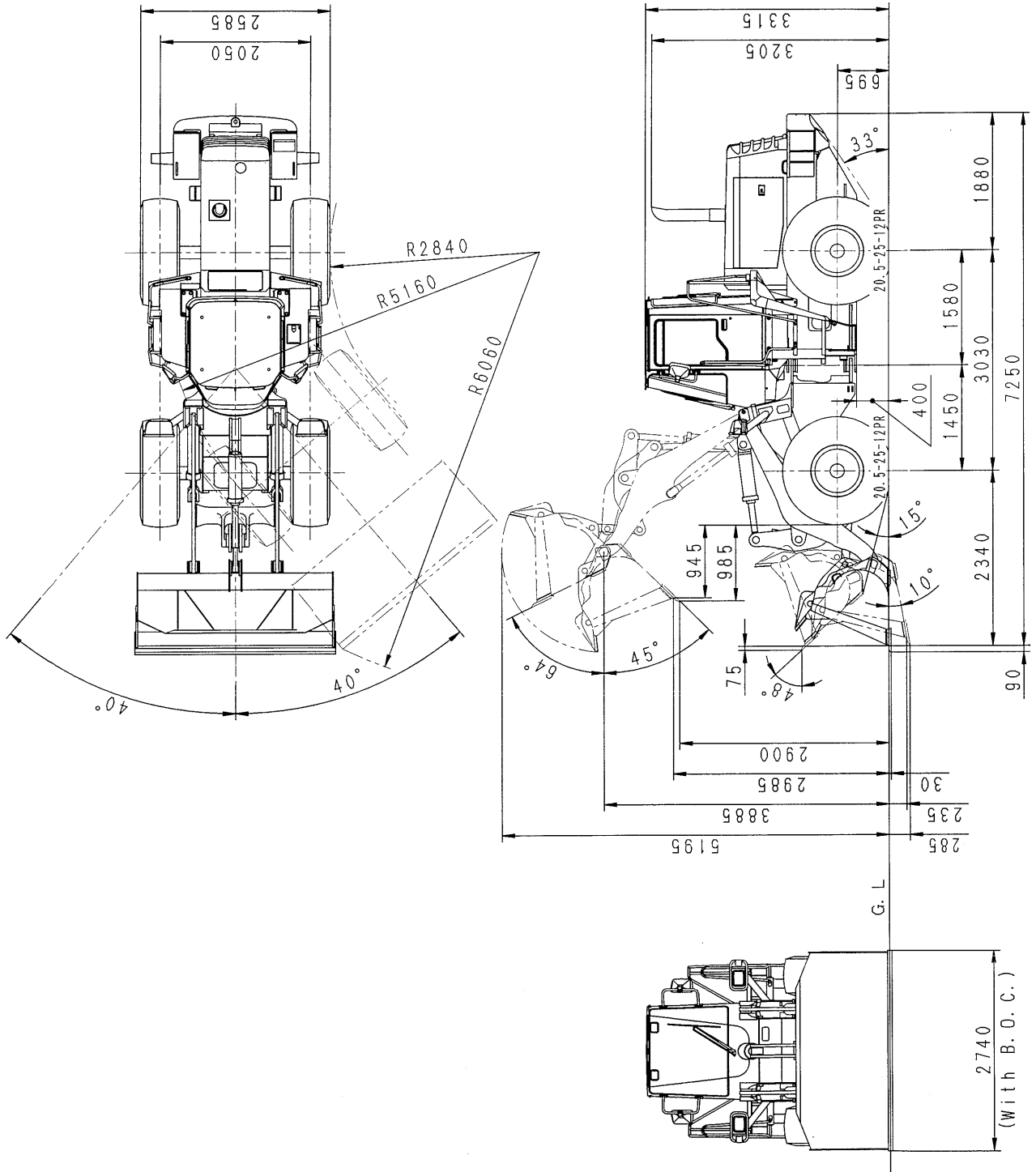
---

# **01 GENERAL**

---

General assembly drawing .....	01- 2
Specifications .....	01- 3
Weight table .....	01- 6
List of lubricant and water .....	01- 7

# GENERAL ASSEMBLY DRAWING



SWW04351

# SPECIFICATIONS

Machine model			WA300L-3	
Serial No.			53001 and up	
Weight	Operating weight	kg	13,240	
	Distribution (front)	kg	5,815	
	Distribution (rear)	kg	7,425	
Performance	Bucket capacity (piled)	m <sup>3</sup>	2.5 (with BOC)	
	Rated load	N {kg}	39,230 {4,000}	
	Travel speed	FORWARD 1st	km/h	7.5
		FORWARD 2nd	km/h	12.0
		FORWARD 3rd	km/h	21.0
		FORWARD 4th	km/h	34.0
		REVERSE 1st	km/h	7.8
		REVERSE 2nd	km/h	12.5
		REVERSE 3rd	km/h	22.0
		REVERSE 4th	km/h	35.0
	Max. rimpull	N {kg}	119,560 {12,200}	
	Gradeability		deg	25
Min. turning radius	Center of outside wheel	mm	5,160	
	Outside portion of chassis	mm	6,060 (with BOC)	
Dimensions	Overall length (with BOC)		mm	7,340 (with BOC)
	Overall width (chassis)		mm	2,585
	Bucket width (with BOC)		mm	2,740
	Overall height (top of cab)		mm	3,315
	(Bucket raised)		mm	5,195
	Wheelbase		mm	3,030
	Tread		mm	2,050
	Min. ground clearance		mm	400
	Height of bucket hinge pin		mm	3,885
	Dumping clearance (tip of BOC)		mm	2,900
	Dumping reach (tip of BOC)		mm	985
	Bucket dump angle (fully raised)		deg	45
	Bucket tilt angle (SAE carrying position)		deg	48
Digging depth (10° dump) (with BOC)		mm	285	

It's a preview. You can download the full file by clicking the link below.

<https://shopservicemanual.com/>

Service Manuals from 2\$