

# SHOP MANUAL

# 6D114 SERIES ENGINE

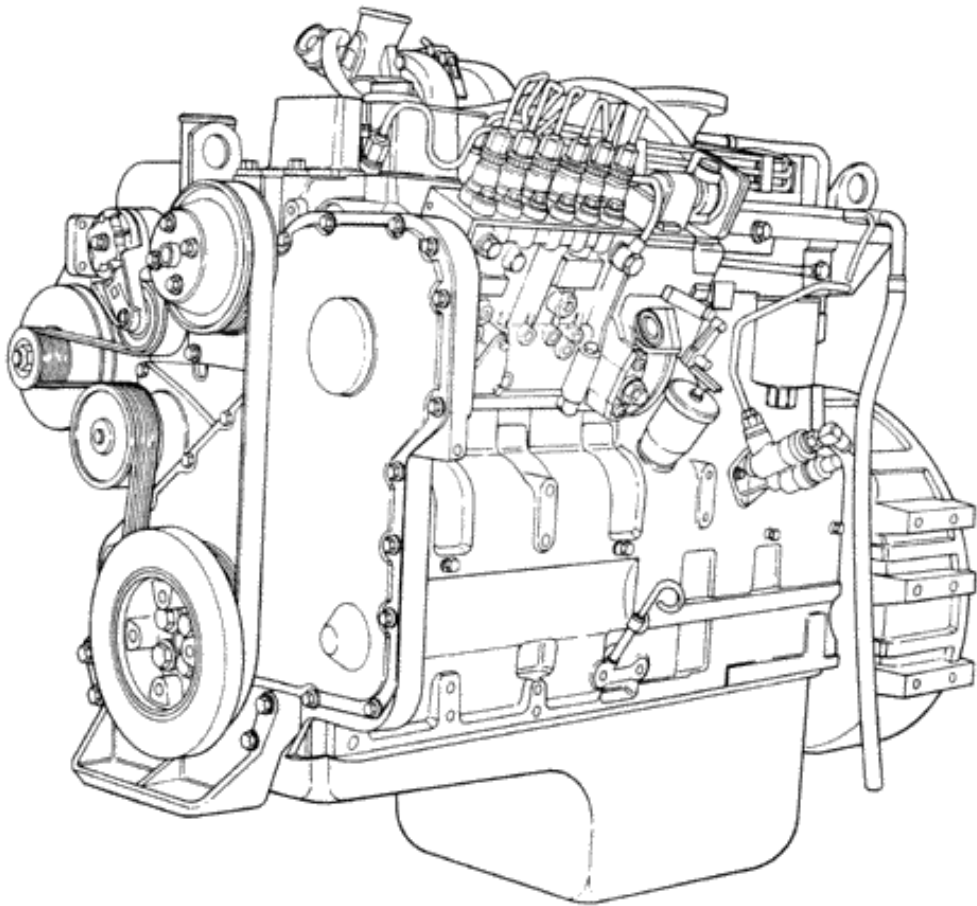
**⚠ WARNING**

This shop manual may contain attachment and optional equipment that are not available in your area. Please consult your local Komatsu distributor for those items you may require. Materials and specifications are subject to change without notice.

# Shop Manual

## SAA6D114E-2 ENGINE

©Cummins Inc



ew900gu

APPLICABLE MACHINE

Engine model	Engine serial No.	Applicable model	
SAA6D114E-2		WA380-3	WHEEL LOADER

# Foreword

This manual provides instructions for troubleshooting and repairing this 6D114 SERIES engine in the chassis. Component and assembly rebuild procedures are provided in the engine shop manual. Refer to Section i - Introduction for instructions on how to use this manual.

**Read and follow all safety instructions. Refer to the WARNING in the General Safety Instructions in Section i - Introduction.**

The manual is organized to guide a service technician through the logical steps of identifying and correcting problems related to the engine. This manual does not cover vehicle or equipment problems. Consult the vehicle or equipment manufacturer for repair procedures.

A series of specific service manuals (for example: Shop) .

The repair procedures used in this manual are recommended by Cummins Inc. Some service procedures require the use of special service tools. Use the correct tools as described.

Cummins Inc. encourages the user of this manual to report errors, omissions, and recommendations for improvement.

KOMATSU Inc. reserves the right to make any changes at any time without obligation. If differences are found between your engine and the information in this manual, contact a KOMATSU Authorized Repair Location or call 1-800-DIESELS (1-800-343-7357) toll free in the U.S. and Canada.

The latest technology and the highest quality components are used to manufacture KOMATSU engines. When replacement parts are needed, we recommend using only genuine Cummins or ReCon® exchange parts.

# Contents

<b>Introduction.....</b>	<b>i</b>
<b>Engine Identification.....</b>	<b>E</b>
<b>Familiarization.....</b>	<b>F</b>
<b>Troubleshooting Symptoms.....</b>	<b>TS</b>
<b>Complete Engine - Group 00.....</b>	<b>0</b>
<b>Fuel System - Group 05.....</b>	<b>5</b>
<b>Injectors and Fuel Lines - Group 06.....</b>	<b>6</b>
<b>Lubricating Oil System - Group 07.....</b>	<b>7</b>
<b>Cooling System - Group 08.....</b>	<b>8</b>
<b>Air Intake System - Group 10.....</b>	<b>10</b>
<b>Exhaust System - Group 11.....</b>	<b>11</b>
<b>Electrical Equipment - Group 13.....</b>	<b>13</b>
<b>Engine Testing - Group 14.....</b>	<b>14</b>
<b>Mounting Adaptations - Group 16.....</b>	<b>16</b>
<b>Specifications.....</b>	<b>V</b>

It's a preview. You can download the full file by clicking the link below.

<https://shopservicemanual.com/>

Service Manuals from 2\$