

IMPORTANT

WARNING/CAUTION/NOTE

Please read this manual and follow its instructions carefully. To emphasize special information, the words **WARNING**, **CAUTION** and **NOTE** have special meanings. Pay special attention to the messages highlighted by these signal words.

WARNING:

Indicates a potential hazard that could result in death or injury.

CAUTION:

Indicates a potential hazard that could result in vehicle damage.

NOTE:

Indicates special information to make maintenance easier or instructions clearer.

WARNING:

This service manual is intended for authorized Maruti dealers and qualified service mechanics only. Inexperienced mechanics or mechanics without the proper tools and equipment may not be able to properly perform the services described in this manual. Improper repair may result in injury to the mechanic and may render the vehicle unsafe for the driver and passengers.

FOREWORD

This manual contains procedures for diagnosis, maintenance, adjustments, minor service operations, replacement of components (Service) and for disassembly and assembly of major components (Unit Repair-Overhaul).

Applicable model: MB308

The contents are classified into sections each of which is given a section number as indicated in the Table of Contents on next page. And on the first page of each individual section is an index of that section.

This manual should be kept in a handy place for ready reference of the service work.

Strict observance of the so specified items will enable one to obtain the full performance of the vehicle.

When replacing parts or servicing by disassembling, it is recommended to use MARUTI genuine parts, tools and service materials (lubricant, sealants, etc.) as specified in each description.

All information, illustrations and specifications contained in this literature are based on the latest product information available at the time of publication approval. And used as the main subject of description is the vehicle of standard specifications among others. Therefore, note that illustrations may differ from the vehicle being actually serviced.

The right is reserved to make changes at any time without notice.

Related Manual

Manual Name	Manual No.
MB308 WIRING DIAGRAM MANUAL	99512M84400-74E

MARUTI UDYOG LIMITED

SERVICE DEPARTMENT

	SECTION
GENERAL INFORMATION	
General Information	0A
Maintenance and Lubrication	0B
HEATING AND AIR CONDITIONING	
Heater and Ventilation	1A
Air Conditioning (If Equipped)	1B
STEERING, SUSPENSION, WHEELS AND TIRES	
Steering, Suspension, Wheels and Tires	3
Front End Alignment	3A
Manual Rack and Pinion	3B
Steering Wheel and Column	3C
Front Suspension	3D
Rear Suspension	3E
Rear Suspension (Leaf Spring Type)	
Rear Suspension (Coil Spring Type)	3E1
Wheels and Tires	3F
DRIVE SHAFT AND PROPELLER SHAFT	
Front Drive Shaft	4
BRAKE SYSTEM	
Brakes	5

TABLE OF CONTENTS	SECTION
ENGINE	
Engine Diagnosis	6
Engine Mechanical	6A
(F8B Engine)	
Engine Mechanical (F8D Engine)	6A1
Engine Cooling	6B
Engine Fuel	6C
Engine and Emission Control System	6E1
Ignition System	6F
Cranking System	6G
Charging System	6H
Exhaust System	6K
TRANSMISSION, CLUTCH AND DIFFERENTIAL	
Manual Transmission (4-speed)	7A
Manual Transmission (5-speed)	7A1
Clutch	7C
ELECTRICAL SYSTEM	
Electrical System	8
Wiring Diagram	8A
BODY SERVICE	9
RESTRAINT SYSTEM	
Restraint System	10

0A	6
0B	6A
1A	6A1
1B	6B
3	6C
3A	6E1
3B	6F
3C	6G
3D	6H
3E	6K
3E1	7A
3F	7A1
4	7C
5	8
	8A
	9
	10

NOTE:

The screen toned Section 8A WIRING DIAGRAM is not contained in this manual.

The Section 8A is contained in WIRING DIAGRAM MANUAL mentioned in FOREWORD of this manual.

SECTION 0A

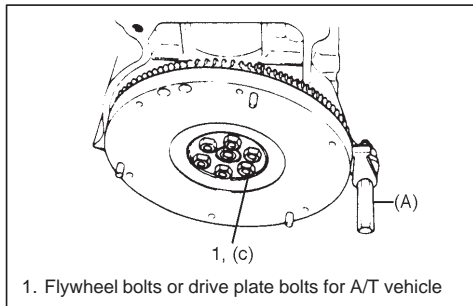
GENERAL INFORMATION

CONTENTS

HOW TO USE THIS MANUAL	0A- 2
PRECAUTIONS	0A- 3
General Precautions	0A- 3
Precautions for Catalytic Converter	0A- 5
Precautions for Electrical Circuit Service	0A- 6
Electrical Circuit Inspection Procedure	0A- 7
Intermittent and Poor Connection	0A-10
Precaution for Installing Mobile Communication Equipment	0A-11
IDENTIFICATION INFORMATION	0A-11
Vehicle Identification Number	0A-11
Engine Identification Number	0A-11
Transmission Identification Number	0A-11
VEHICLE LIFTING POINTS	0A-12
ABBREVIATIONS MAY BE USED IN THIS MANUAL	0A-14
METRIC INFORMATION	0A-16
Metric Fasteners	0A-16
Fasteners Strength Identification	0A-16
Standard Tightening Torque	0A-16

HOW TO USE THIS MANUAL

- 1) There is a TABLE OF CONTENTS FOR THE WHOLE MANUAL on the third page of this manual, whereby you can easily find the section that offers the information you need. Also, there is a CONTENTS on the first page of EACH SECTION, where the main items in that section are listed.
- 2) Each section of this manual has its own pagination. It is indicated at the top of each page along with the Section name.
- 3) The SPECIAL TOOL usage and TORQUE SPECIFICATION are given as shown in figure below.



- 6) Install oil pump. Refer to "Oil pump".
- 7) Install flywheel (for M/T vehicle) or drive plate (for A/T vehicle). Using special tool, lock flywheel or drive plate, and tighten flywheel or drive plate bolts to specified torque.

Special Tool

(A): 09924-17810

Tightening Torque

(c): 78 N·m (7.8 kg-m, 56.0 lb-ft)

- 4) A number of abbreviations are used in the text. For their full explanations, refer to "**ABBREVIATIONS MAY BE USED IN THIS MANUAL**" of this section.
- 5) The SI, metric and foot-pound systems are used as units in this manual.
- 6) DIAGNOSIS are included in each section as necessary.
- 7) At the end of each section, there are descriptions of SPECIAL TOOLS, REQUIRED SERVICE MATERIALS and TIGHTENING TORQUE SPECIFICATIONS that should be used for the servicing work described in that section.

It's a preview. You can download the full file by clicking the link below.

<https://shopservicemanual.com/>

Service Manuals from 2\$