

836C
836C AWD
856C
856C AWD
Motor Grader

SERVICE MANUAL

Part number 47829048

English

January 2015

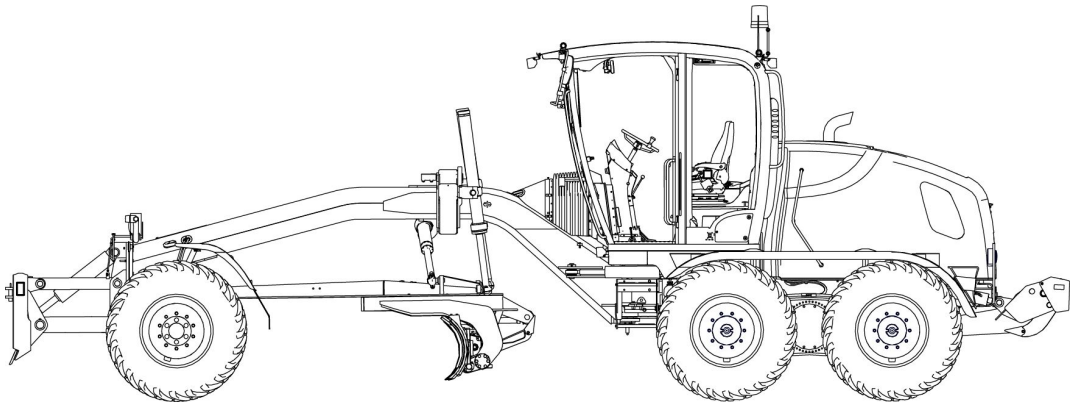
© 2015 CNH Industrial Italia S.p.A. All Rights Reserved.

CASE
CONSTRUCTION

CASE

CONSTRUCTION

SERVICE MANUAL



836C AWD

836C

856C AWD

856C

Link Product / Engine

Product	Market Product	Engine
836C	Europe	F4HFE613Y*B003
836C AWD	Europe	F4HFE613Y*B003
856C	Europe	F4HFE613Y*B003
856C AWD	Europe	F4HFE613Y*B003

Contents

INTRODUCTION

Engine	10
[10.001] Engine and crankcase	10.1
[10.500] Selective Catalytic Reduction (SCR) exhaust treatment.....	10.2
[10.501] Exhaust Gas Recirculation (EGR) - Diesel Particulate Filter (DPF) exhaust treatment	10.3
[10.400] Engine cooling system	10.4
[10.304] Engine lubrication system.....	10.5
Transmission	21
[21.113] Powershift transmission	21.1
[21.135] Powershift transmission external controls.....	21.2
[21.105] Powershift transmission lubrication system	21.3
[21.155] Powershift transmission internal components.....	21.4
[21.700] Torque converter	21.5
Front axle system	25
[25.100] Powered front axle	25.1
[25.108] Final drive hub, steering knuckles, and shafts	25.2
Rear axle system	27
[27.106] Rear bevel gear set and differential	27.1
[27.120] Planetary and final drives	27.2
[27.600] Tandem axle.....	27.3
[27.650] Chain drive system.....	27.4
Hydrostatic drive	29
[29.204] Reservoir, cooler, and lines	29.1
[29.218] Pump and motor components.....	29.2
Brakes and controls	33
[33.202] Hydraulic service brakes	33.1

[33.110] Parking brake or parking lock	33.2
Hydraulic systems.....	35
[35.000] Hydraulic systems.....	35.1
[35.300] Reservoir, cooler, and filters.....	35.2
[35.104] Fixed displacement pump.....	35.3
[35.102] Pump control valves.....	35.4
[35.105] Charge pump.....	35.5
[35.204] Remote control valves	35.6
[35.354] Hydraulic central joint	35.7
[35.739] Swing arm hydraulic system	35.8
[35.741] Dozer blade cylinders	35.9
[35.742] Ripper hydraulic system.....	35.10
[35.310] Distributor and lines	35.11
Frames and ballasting	39
[39.100] Frame	39.1
Steering.....	41
[41.200] Hydraulic control components.....	41.1
[41.206] Pump	41.2
[41.216] Cylinders	41.3
Wheels	44
[44.511] Front wheels.....	44.1
[44.520] Rear wheels.....	44.2
Cab climate control	50
[50.100] Heating.....	50.1
Electrical systems	55
[55.000] Electrical system	55.1
[55.100] Harnesses and connectors.....	55.2

It's a preview. You can download the full file by clicking the link below.

<https://shopservicemanual.com/>

Service Manuals from 2\$